

TWS

SYM

*M
o
p
e
d*

JET 50

(G5J-6)

BK R Y RG SY BL

G5J-6-2000C-2

PARTS NO.	NO.	PARTS NO.	NO.	PARTS NO.	NO.
11000		16702-KBN-900	F11	22110-GR1-880	E06
11100-T52-000	E09	1670A-KB1-000	F11	22121-GT8-601-A	E06
11102-187-003	E09	1670B-GA1-000	F11	22131-GAH-780	E06
11200-T52-010	E09	1671A-GA1-900	F11	22132-GW0-000-A	E06
11200-T52-020	E09	1691A-KB1-000	F11	22300-E60-000	E07
11203-GC7-300	E09	17000		22350-GN2-000	E07
11204-KBN-900	E09	1710B-E69-000	E02	22401-GN2-010	E07
11205-GAH-003-H1	E09	1710B-E69-000	E02	22804-148-000	E07
11205-KBN-900-H1	E09	17111-E60-000	E02	23000	
11206-GW0-300	E09	17112-E60-000	E02	23010-E60-000	E07
11208-GAK-900	E04	17205-KBN-900	F22	23200-GR1-750	E07
1120A-KG8-000	E08	1720A-E69-010	F22	23210-GR1-750	E07
11340-T52-000	E05	17500-KB1-000	F11	23220-GR1-750	E07
11395-T52-000	E05	17502-187-000	F16	23233-GE8-000	E07
12000		17506-KBN-900-H1	F11	23237-GR1-880	E07
12100-T40-000-A	E02	17525-KBN-900	F11	23238-GS7-010	E07
12101-T40-000	E02	17530-KBN-900	F11	23411-T52-000	E08
12191-E60-000	E02	17620-GS7-800	F11	23420-T52-000	E08
12201-GAK-920	E02	17685-KBN-900	F11	23421-T52-000-H1	E08
1220A-GA1-920	E02	17910-E69-000	F02	23422-T52-000-H1	E08
12251-GAK-900	E02	18000		23431-KBN-900	E08
13000		18292-E60-000	F23	23432-T52-000	E08
13000-T52-000	E10	1830A-E69-010	F23	2343A-T52-000	E08
13101-GAK-901	E10	1830A-T52-000-T1	F23	28000	
13111-166-000	E10	18318-G22-000	F23	2823A-GA1-920	E06
13115-156-000	E10	18319-G22-000	F23	28250-G22-000	E06
1312A-GA1-900	E10	19000		28253-GN2-601	E06
13201-GAH-300	E10	19410-KBN-900	F19	28255-GS6-000	E06
13202-169-003	E10	19411-GW3-003	F19	28281-GN2-602	E06
13381-GAH-720-H1	E10	19510-GW2-900	E03	28300-KBN-900	F17
14000		19600-GAK-900	E01	30000	
14100-GAK-900	E02	19624-KBN-900-H1	E01	30400-E69-020	F20
15000		1962A-GA1-920	E01	30500-E60-000	F20
1510A-T52-000	E09	21000		30700-KBN-000	F20
1511A-KB1-920	E09	21200-GAK-900	E08	31000	
15525-KBN-900	E09	21395-E60-000	E08	31100-E69-010	E03
16000		22000		31110-GAK-900	E03
16046-GAK-922	E11	2201A-GA1-920	E06	31120-E69-000-609	E03
16100-E60-010	E11	22100-GR1-750	E07	31200-GAK-900	E04
1621A-GA1-900	E02	22102-GAH-720	E06	31203-GAK-900	E04
		22105-GAH-780	E06	31209-GAK-901	E04

PARTS NO.	NO.	PARTS NO.	NO.	PARTS NO.	NO.
31600-KBN-920	F20	35400-KBN-920	F20	45513-GW0-911-M1	F10
32000		35410-KBN-901	F16	45520-GW0-911-M1	F10
32100-E69-010	F20	37000		45521-GW0-911-M1	F10
32106-E69-000	F10	37200-E69-030	F03	45530-471-831-P1	F10
32121-196-003	F20	37800-E69-000	F11	50000	
32161-393-003	E01	37801-M9Q-000	F11	50100-E69-001	F19
33000		37802-M9Q-000	F11	50139-KBN-902	F11
33105-G22-000	F01	38000		50140-KBN-900	F11
3310A-E69-000	F01	38110-T54-000	F20	50300-GC8-000	F05
3310A-G22-000	F01	38300-T40-000	F03	50306-M9Q-000	F05
33400-E69-010	F03	38300-T40-010	F03	50325-KBN-900	F12
33402-G22-010	F03-1	38501-GW3-900	F20	50350-KBN-900	F19
33450-E69-010	F03	42000		50352-GJ3-600	F12
33452-G22-010	F03-1	42601-G22-000-GR	F07	50502-KBN-900	F17
33600-P1A-020	F14	42601-GAK-900-GR	F07	50503-KBN-900	F17
33650-P1A-020	F14	42753-KJ9-000	F06	50505-E69-000	F17
33700-P1A-020	F14	42753-KJ9-000	F07	5050A-T52-000	F17
33702-G03-000	F14	43000		50530-E69-000	F17
33740-E69-000	F04	4314A-GA1-700	F07	50535-E60-000	F17
33741-P1A-000	F14	43410-G2B-000	F07	50542-E60-000	F17
33743-P1A-000	F04	43450-E69-010	F02	50621-KBN-900	F19
33750-E69-000	F04	43472-T5C-000	F07	51000	
34000		44000		51400-G22-000	F05
34901-E60-000	F01	44301-G22-000	F06	51500-G22-000	F05
34902-S18-K	F01	44311-GW0-910	F06	52000	
34905-B06-000-E	F14	44620-G22-000	F06	52400-G22-900	F18
34905-E69-000	F03	44650-G22-000-GR	F06	53000	
34906-E69-000	F14	44800-G22-000	F06	53100-G22-000	F03
35000		44830-E69-000	F03	53105-H01-000	F02
35010-E69-000	F20	45000		53125-M9Q-000	F03
35100-E60-000	F20	45100-E69-600	F10	53140-KBN-900	F02
35100-E69-000	F20	45100-G22-000	F10	53166-KBN-900	F02
35150-M9Q-000	F03	45105-G22-000-AC	F10	53167-GN2-020	F02
35160-GW0-900	F03	45120-E60-000	F07	53168-GN2-020	F02
35170-E69-000	F03	45121-G22-000	F06	53172-G22-000	F02
35170-GW0-900	F03	45126-G22-000	F10	53173-GS7-003	F02
35180-GW0-900	F03	45133-028-000	F07	53175-KBN-900	F10
35200-M9Q-000	F03	45156-GW0-911	F05	53178-T5C-000	F02
35340-E69-000	F02	45500-G22-000	F10	5317A-T5C-000	F02
35340-KBN-900	F10	4550A-E69-600	F10	53200-G22-000	F05

MODEL: G5J-6 **PARTS NO. INDEX** 2000.

PARTS NO.	NO.	PARTS NO.	NO.	PARTS NO.	NO.
53206-G22-007-GK	F03-1	75581-M9Q-000	F09	8350A-G22-000-YG	F13
5320A-G22-000	F05	77000		8350G-E69-900-RY	F13
5320B-G22-000-KQ	F03	77106-GS6-000	F12	8350G-E69-900-SQ	F13

5320B-G22-000-RT	F03	77107-E69-000	F12	8350G-E69-900-UV	F13
5320B-G22-000-YG	F03	77200-G22-000-BK	F08	8352A-G22-000-KQ	F13
5320B-T52-000-IB	F03	77225-G22-000	F12	8352A-G22-000-RT	F13
5320B-T52-000-UV	F03	77225-G22-000	F20	8352Z-G22-000-IB	F13
5320B-T52-000-YG	F03	77226-KY2-700	F13	8352Z-G22-000-UV	F13
55000		77232-GW0-900	F09	8352Z-G22-000-YG	F13
55100-G22-000	F16	77232-GW0-900	F20	83605-G22-000	F13-1
55105-KBN-900	F16	77232-KBN-900	F19	8360A-G22-000-KQ	F13-1
5510A-E69-000	F16	77234-KBN-900	F19	8360A-G22-000-RT	F13-1
55121-KBN-900	F16	77236-GW0-000	F13	8360A-G22-000-YG	F13-1
55200-KBN-920	F16	80000		8360G-E69-900-RY	F13-1
61000		80100-G22-000-GM	F14	8360G-E69-900-SQ	F13-1
6110A-G22-000-IB	F04	80104-KBN-900	F14	8360G-E69-900-UV	F13-1
6110A-G22-000-KQ	F04	80106-KBN-900	F14	8362A-G22-000-KQ	F13-1
6110A-G22-000-RT	F04	80107-G22-000-IB	F14	8362A-G22-000-RT	F13-1
6110A-G22-000-UV	F04	80107-G22-000-KQ	F14	8362Z-G22-000-IB	F13-1
6110A-G22-000-YG	F04	80107-G22-000-RT	F14	8362Z-G22-000-UV	F13-1
61110-G22-000-GK	F05	80107-G22-000-UV	F14	8362Z-G22-000-YG	F13-1
61120-G22-000-IB	F04	80107-G22-000-YG	F14	8375A-G22-000-KQ	F13-1
61120-G22-000-KQ	F04	80109-T52-000	F14	8375A-G22-000-RT	F13-1
61120-G22-000-RT	F04	8010A-E69-000	F14	8375A-G22-000-RY	F13-1
61120-G22-000-UV	F04	80151-KBN-900-GK	F09	8375A-G22-000-SQ	F13-1
61120-G22-000-YG	F04	80152-KBN-900-GK	F09	8375A-G22-000-UV	F13-1
64000		80153-KBN-900-GK	F09	8375A-G22-000-YG	F13-1
64305-G22-000-GK	F04	81000		83800-G22-000-KQ	F14
6430A-G22-000-KQ	F04	81132-GAH-000-GK	F04	83800-G22-000-RT	F14
6430A-G22-000-RT	F04	81133-KBN-900	F04	83800-G22-000-RY	F14
6430A-G22-000-YG	F04	81251-E69-000-GO	F12	83800-G22-000-SQ	F14
6430G-E69-900-RY	F04	81260-E69-000	F12	83800-G22-000-UV	F14
6430G-E69-900-SQ	F04	81300-G22-000-IB	F21	83800-G22-000-YG	F14
6430G-E69-900-UV	F04	81300-G22-000-KQ	F21	87000	
64310-KBN-900-GK	F09	81300-G22-000-RT	F21	87122-G22-000	F23
64315-G2D-000	F20	81300-G22-000-UV	F21	87122-G22-000-T1	F24-1
6431A-E69-000-GK	F04	81300-G22-000-YG	F21	87122-G22-000-T2	F24-1
64320-KBN-900-GK	F09	83000		87123-G22-000-T1	F24
64330-KBN-900	F11	8350A-E69-000-KQ	F13	87123-G22-000-T2	F23
75000		8350A-E69-000-RT	F13	87124-G22-000-T1	F24-1

MODEL: G5J-6

PARTS NO. INDEX

2000.

PARTS NO.	NO.	PARTS NO.	NO.	PARTS NO.	NO.
87124-G22-000-T2	F24-1	90108-G03-000	F17	90677-GR1-003	F09
87124-G22-000-T4	F24-1	90110-GZ0-000	F04	90677-GR1-003	F13-1
87125-E69-900-T2	F24	90110-KG8-900	F07	90677-GR1-003	F14
87125-E69-900-T3	F24	90111-162-000B	F12	90741-035-000	E10
87125-E69-900-T4	F24	90111-162-000B	F14	90754-M9Q-000-M2	F06
87125-G22-000-T1	F24	90112-GC3-000	F05	90912-M9Q-000-M1	F06
87125-G22-000-T2	F24	90112-GK8-010	F20	91000	

87125-G22-000-T4	F24	90112-GZ0-000	F06	91001-E62-000	E10
87126-E69-000-T1	F24	90112-KBN-900	F19	91001-GA7-701	E07
87126-E69-000-T2	F24	90114-166-006	F10	91001-GAK-900-E1	E10
87126-E69-000-T3	F24	90115-T15-000	F02	91001-GW0-901-E1	E10
87126-E69-900-T1	F24	90118-T15-000	F14	91004-KBN-921-M1	E09
87126-E69-900-T2	F24	90121-T40-000	F19	91004-KN2-901	E08
87126-E69-900-T3	F24	90145-MS9-611	F10	91004-KN2-901	E09
87126-E69-900-T4	F24	90164-MR4-900	F04	91005-GW3-951-M1	E10
87127-E69-000-T1	F24	90164-MR4-900	F14	91006-E62-000	E10
87127-E69-000-T2	F24	90164-X01-000	F20	91006-KBN-900	E10
87127-E69-000-T3	F24	90201-415-000	F12	91009-GE0-003-M1	E08
87127-E69-900-T2	F24	90202-187-000	E07	91102-GW0-008-E1	E10
87127-E69-900-T3	F24-1	90301-GWO-901	F19	91103-GR1-003	E07
87127-E69-900-T4	F24-1	90302-SA4-003	F13-1	91201-F01-000	E09
87128-G22-000-T1	F24-1	90304-438-000	F23	91202-F01-000	E09
87128-G22-000-T2	F24-1	90304-GW0-901-M1	F03-1	91204-KBN-901-M1	E09
87129-E69-900-T2	F24-1	90305-GK8-000	F04	91211-GK8-003	E07
87129-E69-900-T3	F24-1	90305-GK8-000	F09	91255-GE0-003	E08
87129-E69-900-T4	F24-1	90305-KBN-902-M2	F07	91258-KM1-004	F06
88000		90306-GW0-901-M1	F06	91301-166-000	E09-1
88110-G22-000	F02	90309-GW0-901-M1	F06	91301-KA5-741	E07
88120-G22-000	F02	90309-GW0-901-M1	F07	91302-PA9-003	E07
89000		90320-HB9-000	F12	91309-283-005	E04
89010-KBN-000	F08	90381-GZ5-000	F09	91508-A26-000	F03-1
90000		90412-329-000	E06	92000	
90001-GAK-900	E02	90426-KBN-900	E06	92700-06028-1B	E02
9000A-F01-000	E05	90429-KBN-900	E08	93000	
90035-KZ1-000	E09	90451-GN2-600	E05	93201-08032-0A	F18
90101-KBN-900	F12	90465-MC4-000	F06	93401-06020-00	F02
90105-G19-000	F21	90488-700-000	E09	93404-06012-08	F14
90106-GN5-900	F03-1	90501-KBN-900	F07	93404-06016-00	F16
90106-GY6-900	F19	90545-300-000	F10	93404-06016-07	F19
90106-H21-000	F10	90652-GHB-640	F22	93404-06020-00	F09

MODEL: G5J-6

PARTS NO. INDEX

2000.

PARTS NO.	NO.	PARTS NO.	NO.	PARTS NO.	NO.
93404-06025-07	F12	94520-24000	E07	DRIVE BELT	
93404-06035-07	F22	95000		1B01T5201	E07
93500-05022-0A	F02	95002-02080	F11	SPARK PLUG	
93600-04012-1GF	F10	95002-02100	F11	1PBR8HSA-3	E02
93700-05018-0A	F06	95002-02650-0A	E09-1	TIRE	
93891-05012-07	F13-1	95011-61000	F17	1T011207012-4PR-TM	F06
93891-05012-07	F14	95015-32001	F07	1T011307012-4PR-TM	F07
93891-05016-07	F13-1	95015-42000	F07	BATTERY	
93891-05020-07	F13-1	95701-06012-00	F05	1Y01T0601-Y	F15
93891-06010-07	F12	95701-06012-00	F14		
93893-04012-08	F10	95701-06012-00	F20	GAKF-1	E11

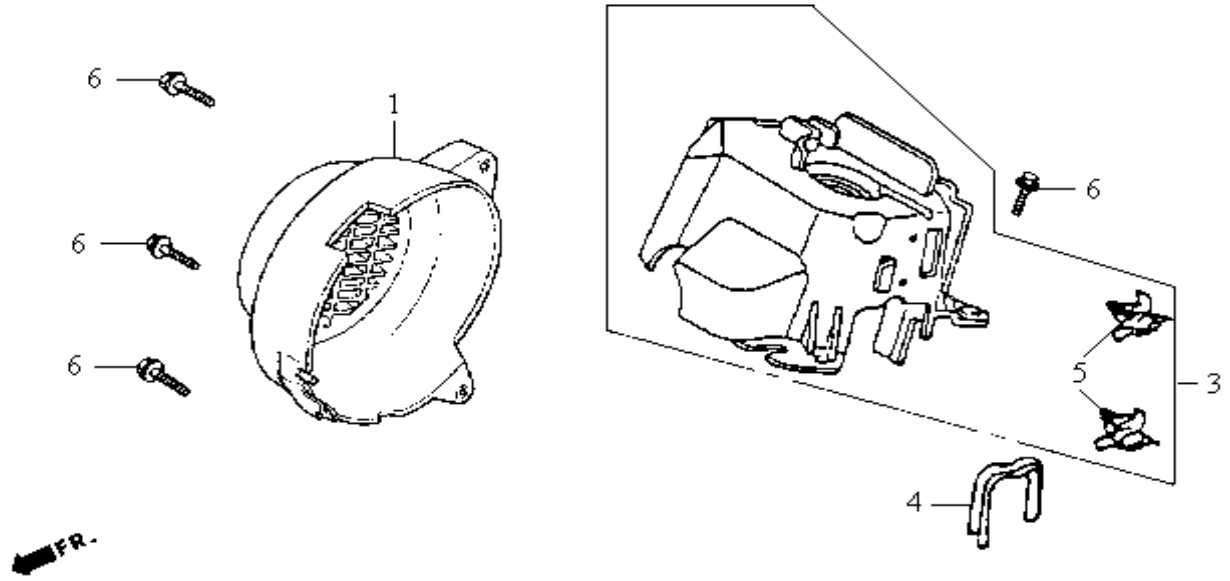
93903-24220	F09	95701-06014-00	F11	GAKF-2	E11
93903-24320	F13-1	95701-06022-07	F17	GAKF-3	E11
93903-25220	F01	95701-06032-00	F07	GAKF-4	E11
93903-25320	F13-1	95701-08012-00	E09-1	GAKF-5	E11
93903-25580	F22	95701-08035-00	E09-1		
93903-34320	F03-1	95701-08040-00	E09-1		
93903-34320	F13-1	95701-08045-07	F23		
93903-34380	F03-1	95701-08055-07	F23		
93903-34380	F04	95701-08070-07	F23		
93903-34380	F14	95801-06035-07	F22		
93903-35320	F03-1	95801-06045-08	F20		
		95801-08040-00	F05		
94000			F18		
94001-05000-0S	F02	95801-10035-00	F19		
94001-12200-0S	E06	95801-10070-08			
94030-08080-0S	F17	96000			
94050-06000	E02	96001-06012-00	E03		
94050-06000	F10	96001-06012-00	F10		
94050-06000	F11	96001-06016-00	E03		
94050-06070	F19	96001-06022-00	E02		
94050-06080	F08	96001-06022-00	E03		
94050-06080	F20	96001-06025-00	E01		
94050-08000	E08	96001-06025-00	E04		
94050-10000	E03	96001-06032-00	E02		
94050-10000	E07	96001-06032-00	E09-1		
94201-16200	F17	96001-06045-00	E09-1		
94301-10200	E05	96001-06055-00	E09-1		
94301-10200	E08	96211-05000	F05		
94301-10200	E09-1	98000			
94511-14000	E05	98200-10700	F20		

COLOR PARTS INDEX FOR " JET 50 "

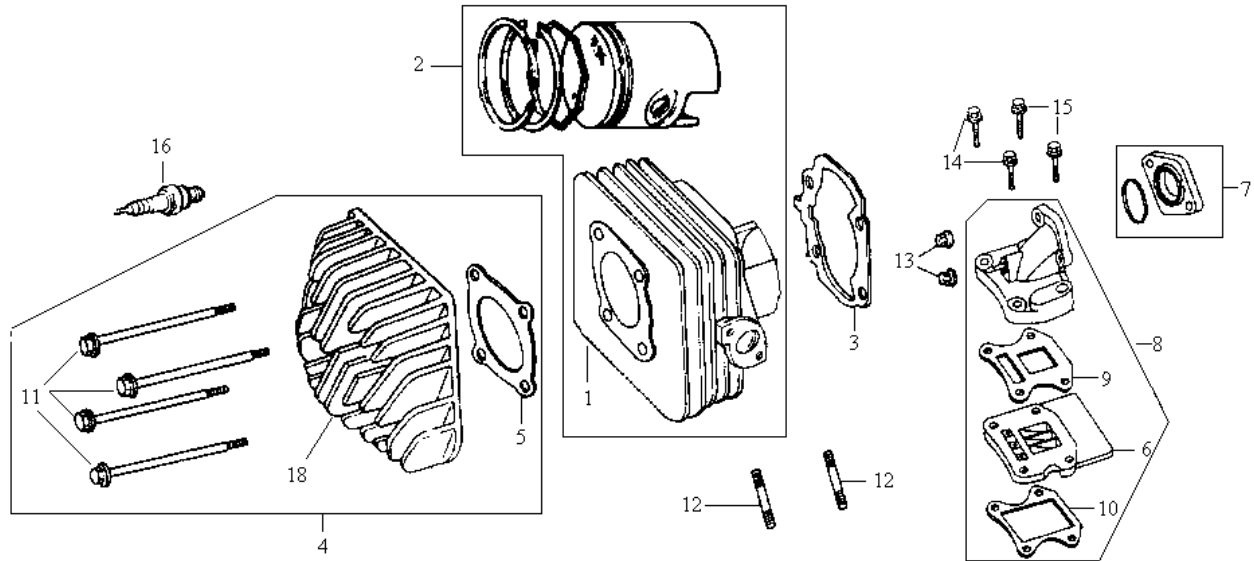
N	MODEL		G5J-6		G5J-6		G5J-6		
	BASIC COLOR		BLACK		RED		YELLOW		
	CODE		BK-005S	BK	R-010CA	R	Y-109P	Y	
O	Item	Parts Number	Description	Basic Color	Code	Basic Color	Code	Basic Color	Code
	1	42601-G22-000	WHEEL RIM COMP	GY-1406S	GR	GY-1406S	GR	GY-1406S	GR
	2	42601-GAK-900	RR. WHEEL HUB COMP	GY-1406S	GR	GY-1406S	GR	GY-1406S	GR
	3	44650-G22-000	FR. HUB COMP	GY-1406S	GR	GY-1406S	GR	GY-1406S	GR
	4	53205-G22-000	FR. HANDLE COVER	BK-005S	KQ	R-010CA	RT	Y-109P	YG
	5	53206-G22-000	RR. HANDLE COVER	GY-426U	GK	GY-426U	GK	GY-426U	GK
	6	5320B-G22-000	FR. HANDLE COVER ASSY	BK-005S	KQ	R-010CA	RT	Y-109P	YG
	7	5321A-E69-000	RR. HANDLE COVER ASSY	GY-426U	GK	GY-426U	GK	GY-426U	GK
	8	6110B-G22-000	FR. FENDER	BK-005S	KQ	R-010CA	RT	Y-109P	YG
	9	61110-G22-000	FR. INNER FENDER	GY-426U	GK	GY-426U	GK	GY-426U	GK
	10	61120-G22-000	FR. UNDER SPOILER	BK-005S	KQ	R-010CA	RT	Y-109P	YG
	11	64301-G22-000	HANDLE FR COVER MARK	BK-005S	KQ	R-010CA	RT	Y-109P	YG
	12	64305-G22-000	FR. UP PLATE	GY-426U	GK	GY-426U	GK	GY-426U	GK
	13	6430A-G22-000	FR. COVER ASSY	BK-005S	KQ	R-010CA	RT	Y-109P	YG
	14	64310-KBN-900	FLOOR STEP	GY-426U	GK	GY-426U	GK	GY-426U	GK
	15	6431A-G22-000	FR. INNER COVER ASSY	GY-426U	GK	GY-426U	GK	GY-426U	GK
	16	64320-KBN-900	FLOOR MAT	GY-426U	GK	GY-426U	GK	GY-426U	GK
	17	8010B-G22-000	RR. MUDGUARD ASSY	BK-005S	KQ	R-010CA	RT	Y-109P	YG
	18	80151-KBN-900	CENTER COVER	GY-426U	GK	GY-426U	GK	GY-426U	GK
	19	80152-KBN-900	FUEL LID	GY-426U	GK	GY-426U	GK	GY-426U	GK
	20	80153-KBN-900	MAIN COVER PLUG	GY-426U	GK	GY-426U	GK	GY-426U	GK
	21	81132-GAH-000	HOOK LUGGAGE	GY-426U	GK	GY-426U	GK	GY-426U	GK
	22	81300-G22-000	RR. GRIP	BK-005S	KQ	R-010CA	RT	Y-109P	YG
	23	83500-G22-000	R. BODY COVER	BK-005S	KQ	R-010CA	RT	Y-109P	YG
	24	8350A-E69-000	R. BODY COVER ASSY	BK-005S	KQ	R-010CA	RT	Y-109P	YG
	25	8352A-G22-000	R. SIDE COVER ASSY	BK-005S	KQ	R-010CA	RT	Y-109P	YG
	26	8352Z-G22-000	R. SIDE COVER SET					Y-109P	YG
	27	83600-G22-000	L. BODY COVER	BK-005S	KQ	R-010CA	RT	Y-109P	YG
	28	8360A-E69-000	L. BODY COVER ASSY	BK-005S	KQ	R-010CA	RT	Y-109P	YG
	29	8362A-G22-000	L. SIDE COVER ASSY	BK-005S	KQ	R-010CA	RT	Y-109P	YG
	30	8362Z-G22-000	L. SIDE COVER SET					Y-109P	YG
	31	8375A-G22-000	RR. CENTER COVER ASSY	BK-005S	KQ	R-010CA	RT	Y-109P	YG
	32	83800-G22-000	TAIL COVER	BK-005S	KQ	R-010CA	RT	Y-109P	YG

Fast Moving Parts List

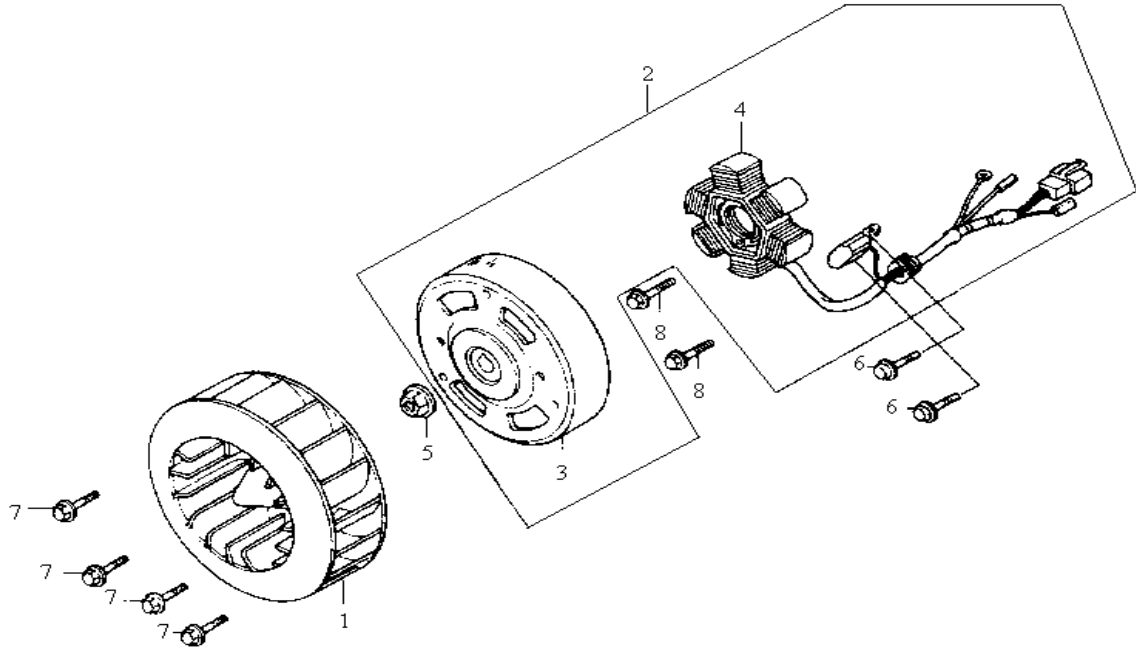
No	ITEM.	Description.	Parts. No.	Pcs	Price USD	Remark
1	2 Stroke Oil	MAX-2G (0.7L/CAN) JASO FC		24	48/ctn (24pcs=1ctn)	
		SYN-800 (0.8L/CAN) JASO FC		24	54/ctn (24pcs=1ctn)	
		RT- 8000 (1L/CAN) JASO FC		24	85/ctn (24pcs=1ctn)	
2	Gear Oil	API GL-5 SAE 140 (90 cc)		48	20/ctn (48pcs=1ctn)	
		API GL-5 SAE 140 (120 cc)		48	23/ctn (48pcs=1ctn)	
		API GL-5 SAE 85W/140, 120cc		48		
3	Spark Plug	BR8HSA (200pcs=1ctn)	CP3014383	200	1.3/pc (10pcs=1box)	(NGK)
4	Drive Belt	737X18X30 (1B01T5201)	23100-T52-000	50	6.54/pc (50pcs=1ctn)	(BANDO)
5	Battery	YTX4L-BS (1Y01GW301-Y)	31500-GM4-030	6	17.79/pc (6pcs=1ctn)	(YUASA)
6	FR. Tire	120/70-12-4PR (Tubeless)	44710-G22-000	1	/pc	
7	RR. Tire	130/70-12-4PR (Tubeless)	42710-G22-000	1	/pc	
8	Drive Chain	X	X	X	X	
9	Cam Chain	X	X	X	X	
10	FR. Brake Shoe	X	X	X	X	
11	RR. Brake Shoe	4pcs=1box, 200pcs=1ctn	45120-E60-000	4	2.5/pc (1set=2pcs)	
12	Brake Pad		45105-G22-000-AC	2	7.45/pc (1set=2pcs)	
13	Weight Roller	7.5GR	22121-GT8-601	6	2.77/set (1set=6pcs)	
14	Slide Piece		22132-GWO-000-A	3	0.57/set (1set=3pcs)	
15	Air/c Element		17205-KBN-900	5	133/pc (5pcs=1bag)	
16	Bulb	Head light Bulb(E-m.) 12V/15W	34901-E60-000	10	4.33/pc (10pcs=1box)	
		Tail Bulb (E-mark) 12V 21/5W	34906-E69-000	10	1.20/pc (10pcs=1box)	
		FR. Winker(E-mark) 12V-10W		10	/pc (10pcs=1box)	
		RR. Winker(E-mark) 12V-10W		10	/pc (10pcs=1box)	



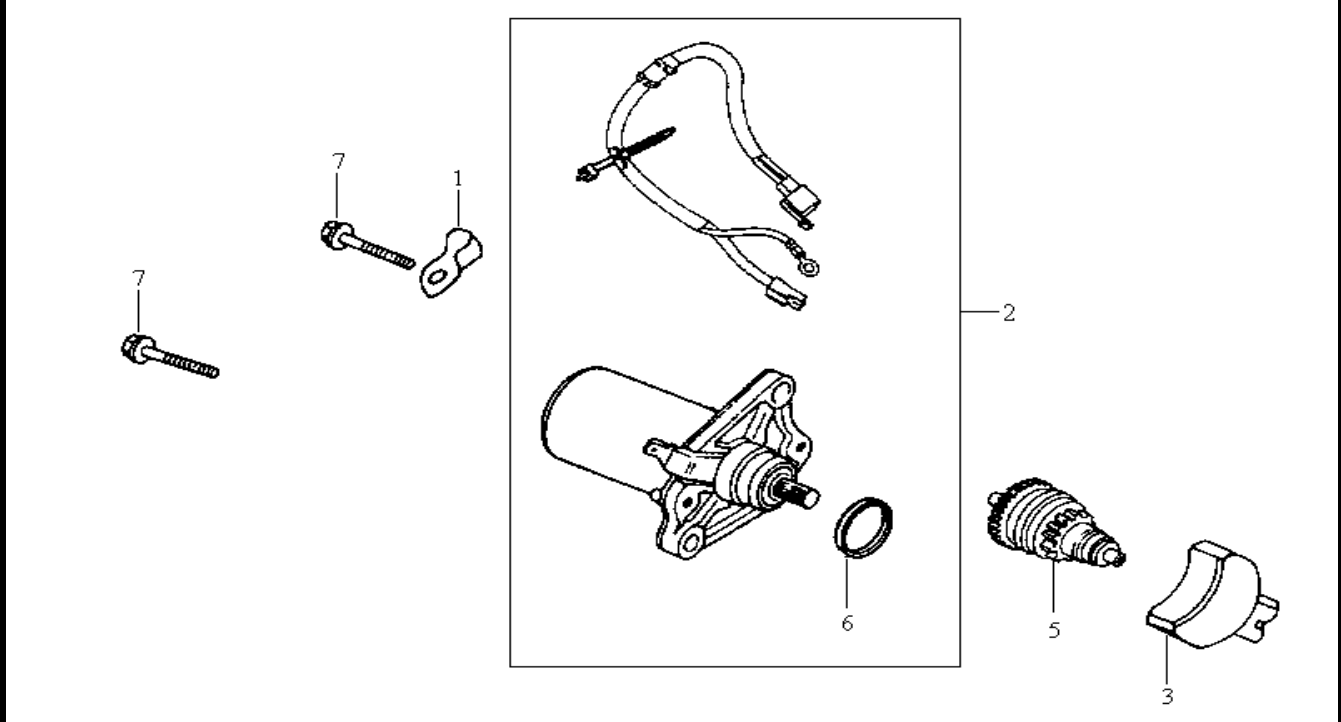
MODEL(S) G5J-6			A P P L Y	Q T Y R E Q
BLOCK NO. A-1 DESCRIPTION	PARTS NUMBER	CHANGE DATE		
1.Fan cover comp	19600-GAK-900			1
3.Shroud assy	1962A-GA1-920			1
4.Rubber shroud seal	19624-KBN-900-H1			1
5.Harness wire clip	32161-393-003			2
6.Flange bolt SH 6x25	96001-06025-00			4



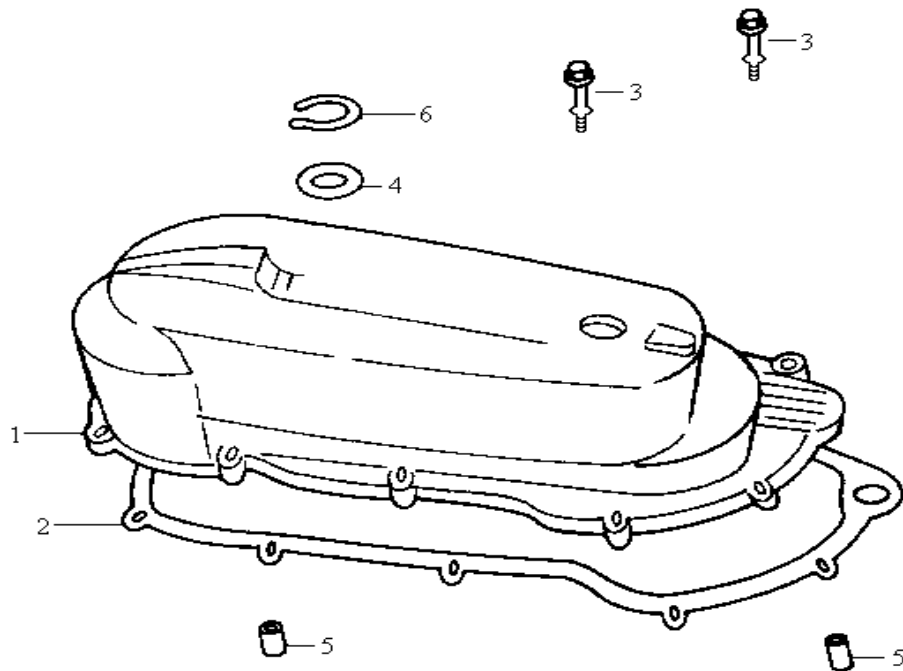
MODEL(S) G5J-6			A P P L Y	Q T Y R E Q
BLOCK NO. A-1 DESCRIPTION	PARTS NUMBER	CHANGE DATE		
1.Cylinder.	12101-T40-000			1
2.Cylinder piston ring set	12100-T40-000-A			1
3.Cylinder gasket	12191-E60-000			1
4.Cylinder head	1220A-GA1-920			1
5.Cylinder head gasket	12251-GAK-900			1
6.Read valve comp.	14100-GAK-900			1
7.Carburetor insulator assy.	1621A-GA1-900			1
8.Inlet pipe comp.	1710B-E69-000			1
9.Inlet pipe gasket A	17111-E60-000			1
10.Inlet pipe gasket B	17112-E60-000			1
11.Flange bolt 7x100	90001-GAK-900			4
12.Stud bolt 6x28	92700-06028-1B			2
13.Flange nut 6mm	94050-06000			2
14.Flange bolt SH 6x22	96001-06022-00			2
15.Flange bolt SH 6x32	96001-06032-00			2
16.Spark plug(BR8HSA)	1PBR8HSA-3	1999-12-06	Y	1
17.Inlet pipe assy	1710B-E69-000			1
18.Cylinder head	12201-GAK-920			1



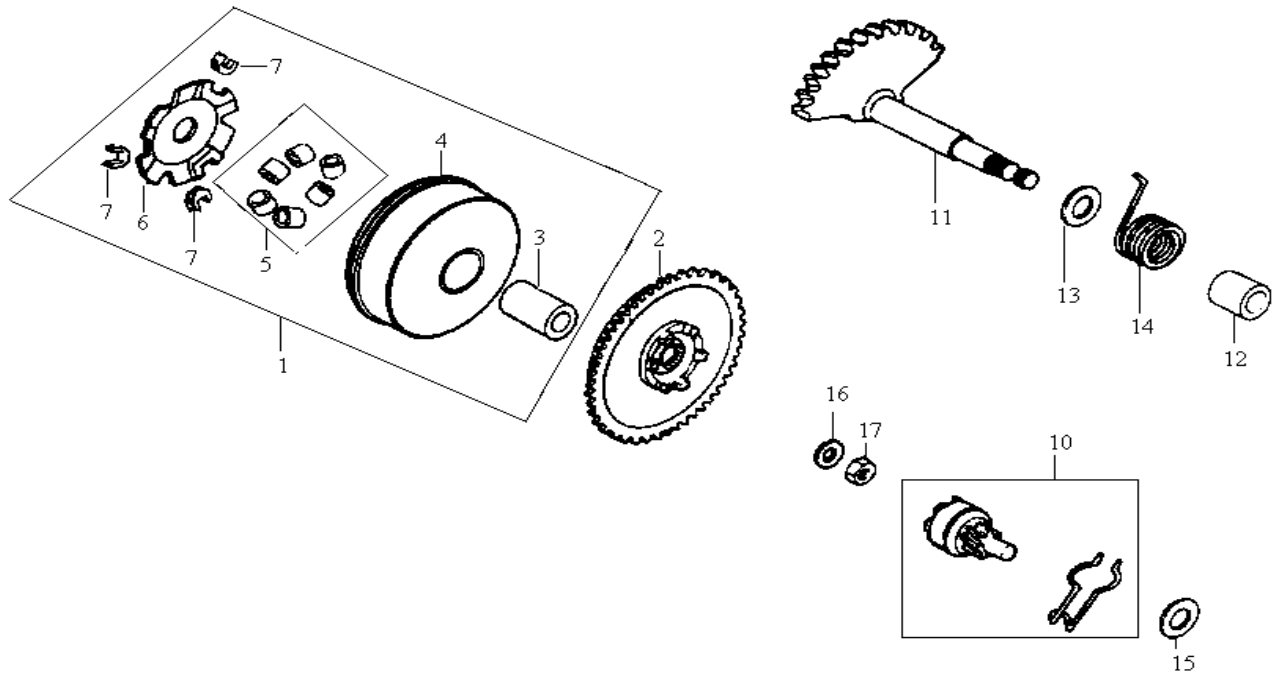
MODEL(S) G5J-6			A P P L Y	Q T Y R E Q
BLOCK NO. A-1	CHANGE DATE	DATE		
DESCRIPTION	PARTS NUMBER			
1.Cooling fan comp.	19510-GW2-900			1
2.A.C.G. assy.	31100-E69-010			1
3.Flywheel comp.	31110-GAK-900			1
4.Stator comp.	31120-E69-000-609			1
5.Flange nut 10mm	94050-10000			1
6.Flange bolt SH 6x12	96001-06012-00			2
7.Flange bolt SH 6x16	96001-06016-00			4
8.Flange bolt SH 6x22	96001-06022-00			2



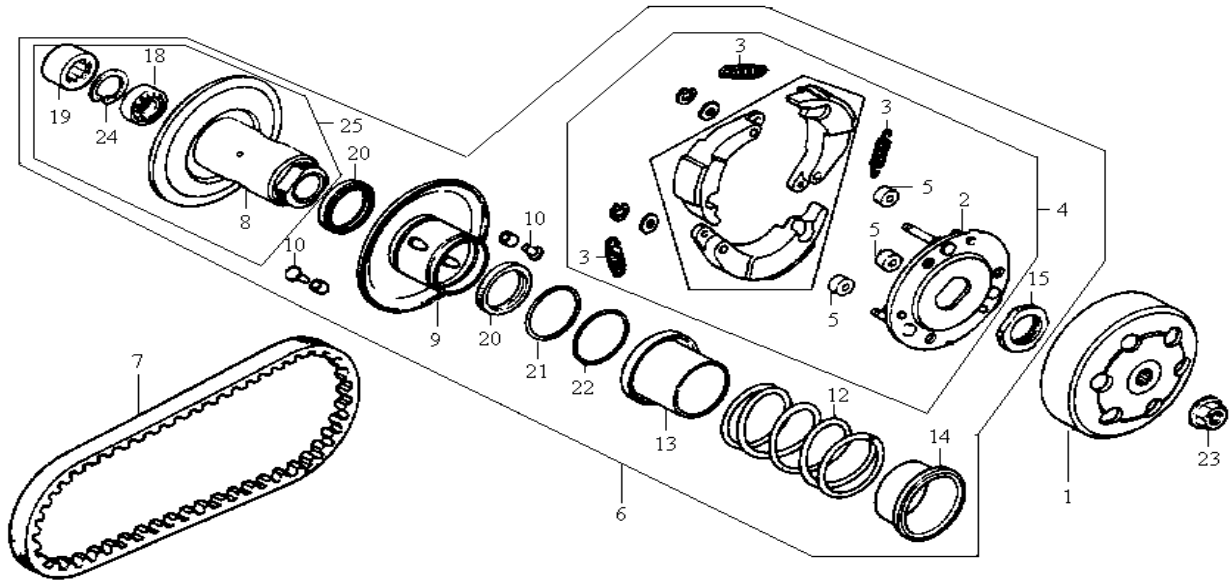
MODEL(S) G5J-6			A P P L Y	Q T Y R E Q
BLOCK NO. A-1	CHANGE DATE	DATE		
DESCRIPTION	PARTS NUMBER			
1.Carb drain calmpers	11208-GAK-900			1
2.Starter motor assy.	31200-GAK-900			1
3.Holder comp. starter pinion	31203-GAK-900			1
5.Pinion assy. starter	31209-GAK-901			1
6.O-ring 42.5×2	91309-283-005			1
7.Flange bolt SH 6×25	96001-06025-00			2



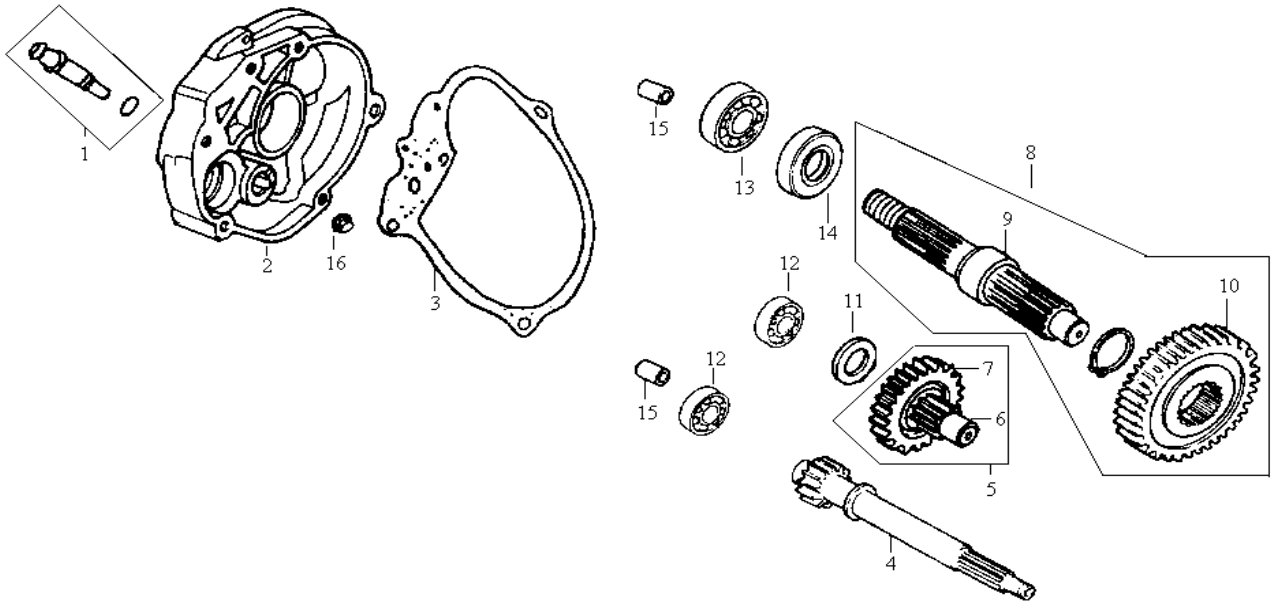
MODEL(S) G5J-6			A P P L Y	Q T Y R E Q
BLOCK NO. A-1 DESCRIPTION	PARTS NUMBER	CHANGE DATE		
1.L side cover	11340-T52-000			1
2.L cover gasket	11395-T52-000			1
3.Special bolt 6x28	9000A-F01-000			9
4.Kick spindle washer	90451-GN2-600			1
5.Dowel pin 10x20	94301-10200			2
6.EX. cir clip 14mm	94511-14000			1



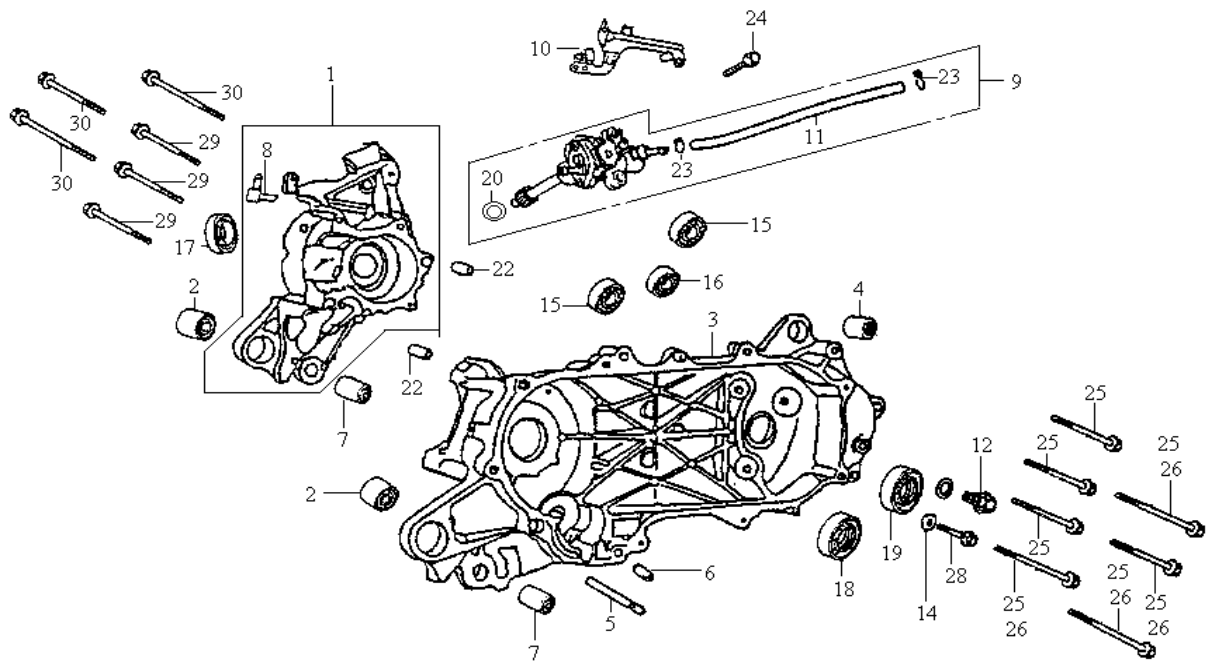
MODEL(S) G5J-6			A P P L Y	Q T Y R E Q
BLOCK NO. A-1 DESCRIPTION	PARTS NUMBER	CHANGE DATE		
1.Movable drive face assy.	2201A-GA1-920			1
2.Drive face	22102-GAH-720			1
3.Drive face boss	22105-GAH-780			1
4.Movable drive face comp.	22110-GR1-880			1
5.Weight roller comp. 7.5GR	22121-GT8-601-A			6
6.Ramp plate	22131-GAH-780			1
7.Slide piece	22132-GW0-000-A			3
10.Kick driven gear assy.	2823A-GA1-920			1
11.Kick starter spindle comp.	28250-G22-000			1
12.Kick spindle bush	28253-GN2-601			1
13.Kick boss collar	28255-GS6-000			1
14.Kick return spring	28281-GN2-602			1
15.Thrust washer 10mm	90412-329-000			1
16.Special washer 12mm	90426-KBN-900			1
17.HEX. nut 12mm	94001-12200-0S			1



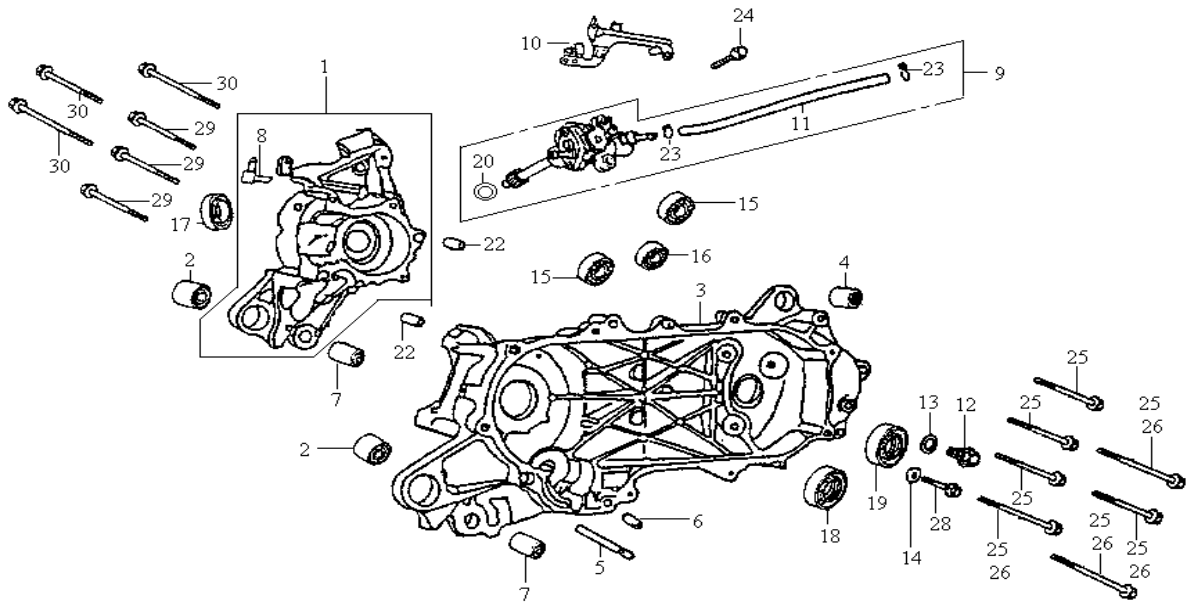
MODEL(S)			A	Q
G5J-6			P	T
	BLOCK NO. A-1		L	R
		CHANGE	Y	E
		DATE		Q
DESCRIPTION	PARTS NUMBER			
1.Clutch outer	22100-GR1-750			1
2.Drive plate assy.	22350-GN2-000			1
3.Clutch spring	22401-GN2-010			3
4.Drive plate assy	22300-E60-000			1
5.Clutch damper rubber	22804-148-000			1
6.Driven pulley assy	23010-E60-000			1
7.Drive belt	1T01T5201 (23100-T52-000)			1
8.Face comp. driven	23210-GR1-750			1
9.Movable driven face comp	23220-GR1-750			1
12.Driven face spring	23233-GE8-000			1
13.Seal collar	23237-GR1-880			1
14.Spring collar	23238-GS7-010			1
15.Special nut 28mm	90202-187-000			1
18.Radial ball BRG.6901U	91001-GA7-701			1
19.Needle BRG.17x25x18ws	91103-GR1-003			1
20.Oil seal 34x39x3	91211-GK8-003			2
21.O-ring 36x1.5	91301-KA5-741			1
22.O-ring 39.8x2.2	91302-PA9-003			1
23.Flange nut 10mm	94050-10000			1
24.Cir clip IN 24	94520-24000			1
25.Face assy. driven	23200-GR1-750			1



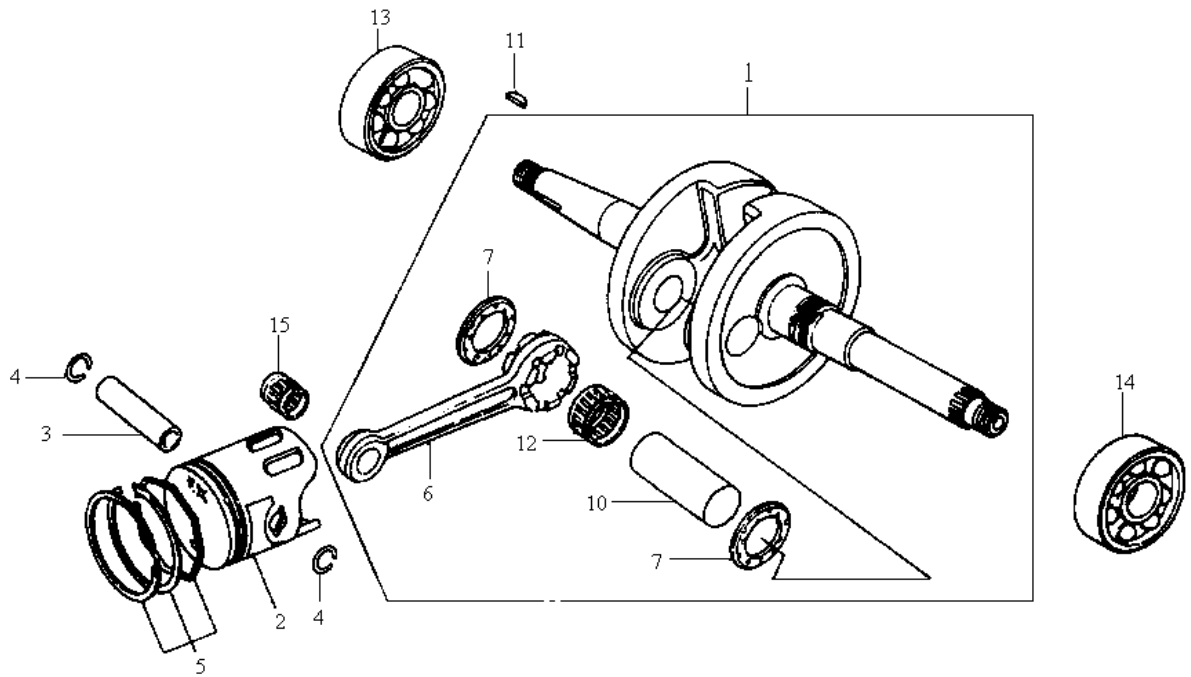
MODEL(S) G5J-6			A P P L Y	Q T Y R E Q
BLOCK NO. A-1 DESCRIPTION	PARTS NUMBER	CHANGE DATE		
1.Brk. shoe anchor pin assy	1120A-KG8-000			1
2.Mission case comp	21200-GAK-900			1
3.Mission case gasket	21395-E60-000			1
4.Drive shaft	23411-T52-000			1
5.Counter shaft comp	23420-T52-000			1
6.Counter shaft	23421-T52-000-H1			1
7.Counter gear	23421-T52-000	2000-08-30	N	1
8.Final shaft assy	23422-T52-000			1
9.Final shaft	2343A-T52-000			1
10.Final gear	23431-KBN-900			1
11.Side washer 12mm	23432-T52-000			1
12.Radial ball brg.6201	90429-KBN-900			1
13.Radial ball brg.6004UU	91004-KN2-901			2
14.Oil seal 27x42x7	91009-GE0-003-M1			1
15.Doewl pin 10x20	91255-GE0-003			1
16.Flange nut 8mm	94301-10200			2
	94050-08000			1



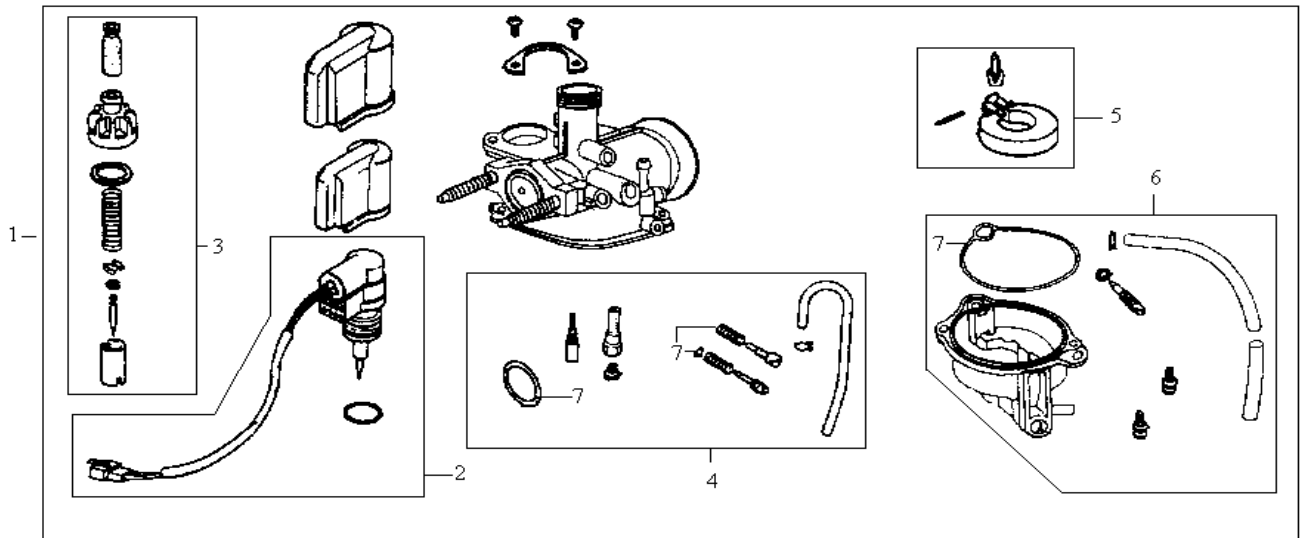
MODEL(S) G5J-6			A P P L Y	Q T Y R E Q
BLOCK NO. A-1		CHANGE DATE		
DESCRIPTION	PARTS NUMBER			
1. R.crank case body	11100-T52-000			1
2. ENG.hanger rub.bush	11102-187-003			2
3. L.crank case body	11200-T52-010			1
4. R.R.cush .und.rub.bush	11203-GC7-300			1
5. Pin.spg.hook	11204-KBN-900			1
6. Bush 8x12x8	11205-GAH-003-H1			1
7. Bush, M stand	11205-KBN-900-H1			2
8. Pulse joint comp	11206-GW0-300			1
9. Oil pump assy	1510A-T52-000			1
10.Oil pump set plate assy	1511A-KB1-920			1
11.Oil pass tube comp	15525-KBN-900			1
12.Oil level check bolt	90035-KZ1-000			1
14.Washer A 8mm	90488-700-000			1
15.Ball brg.6203(TMB)	91004-KBN-921-M1			2
16.Radial ball brg.6201	91004-KN2-901			1
17.Oil seal assy. 15.6x25.5x7	91201-F01-000			1
18.Oil seal assy.20x31x7	91202-F01-000			1
19.Oil seal 17x30x6	91204-KBN-901-M1			1
20.O-ring	91301-166-000			1
22.Dowel pin 10x20	94301-10200			2
23.Tube clip B6.5	95002-02650-0A			2
24.Flange bolt 8x12	95701-08012-00			1
25.Flange bolt 8x35	95701-08035-00			2



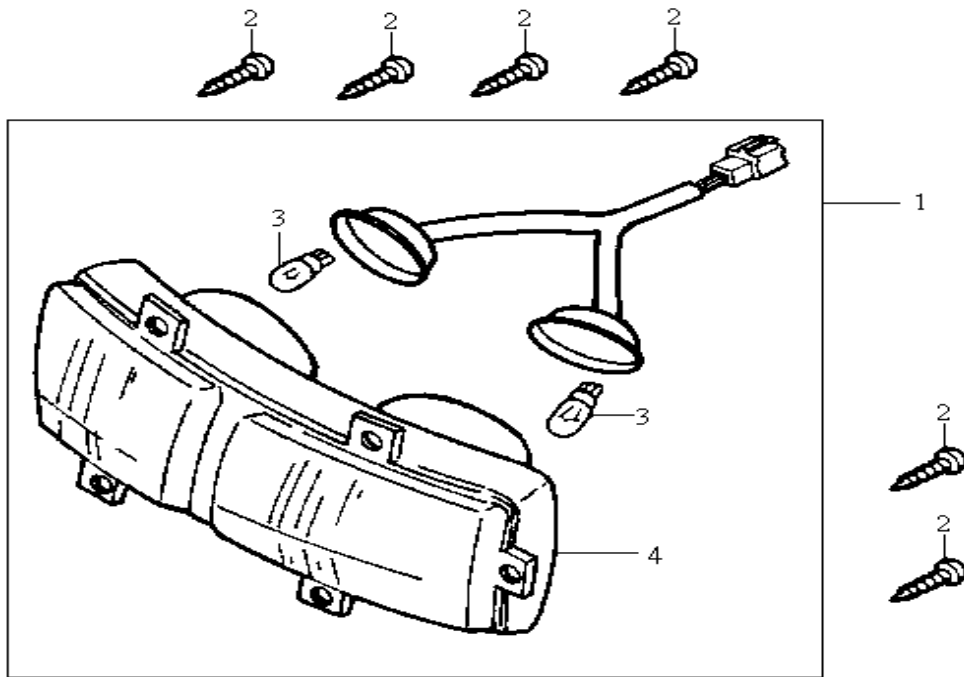
MODEL(S) G5J-6			A P P L Y	Q T Y R E Q
BLOCK NO. A-1		CHANGE DATE		
DESCRIPTION	PARTS NUMBER			
26.Flange bolt 8x40	95701-08040-00			5
28.Flange bolt SH 6x32	96001-06032-00			1
29.Flange bolt SH 6x45	96001-06045-00			3
30.Flange bolt SH 6x55	96001-06055-00			3



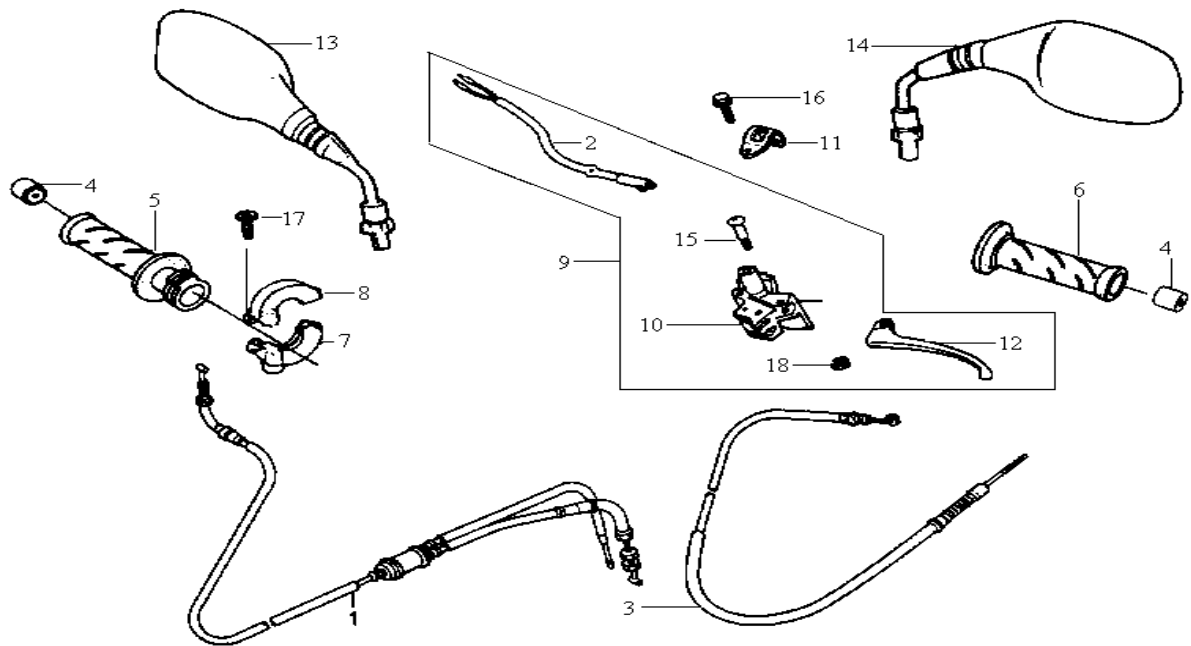
MODEL(S) G5J-6			A P P L Y	Q T Y R E Q
BLOCK NO. A-3 DESCRIPTION	PARTS NUMBER	CHANGE DATE		
1.Crank shaft comp.	13000-T52-000			1
2.Piston	13101-GAK-901			1
3.Piston pin	13111-166-000			1
4.Piston pin clip 12mm	13115-156-000			2
5.Piston ring set	1312A-GA1-900			1
6.Conn rod	13201-GAH-300			1
7.Connecting rod side plate	13202-169-003			2
10.Crank pin	13381-GAH-720-H1			1
11.Woodruff key 10x4	90741-035-000			1
12.BRG.con-rod big end	91001-GAK-900-E1			1
13.Ball radial special BRG.6204	91102-GW0-008-E1			1
14.BRG.ball radial 25x52x12	91005-GW3-951-M1			1
15.BRG. con-rod S.E	91006-E62-000			1



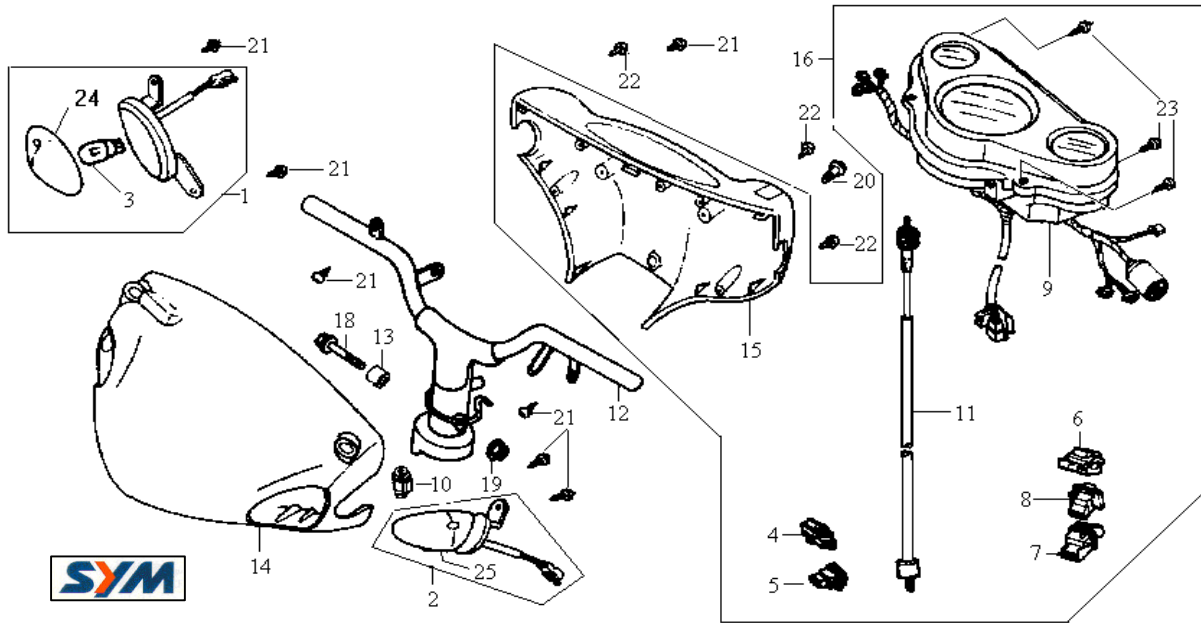
MODEL(S) G5J-6			A P P L Y	Q T Y R E Q
BLOCK NO. A-3 DESCRIPTION	PARTS NUMBER	CHANGE DATE		
1. Carburetor assy.	16100-E60-010			1
2. Auto bystarter assy.	16046-GAK-922			1
3. Carb. needld fix set.	GAKF-1			1
4. Carb. screw fix set.	GAKF-2			1
5. Carb. float fix set.	GAKF-3			1
6. Carb. f.c.b. fix set.	GAKF-4			1
7. Carb. gasket fix set.	GAKF-5			1



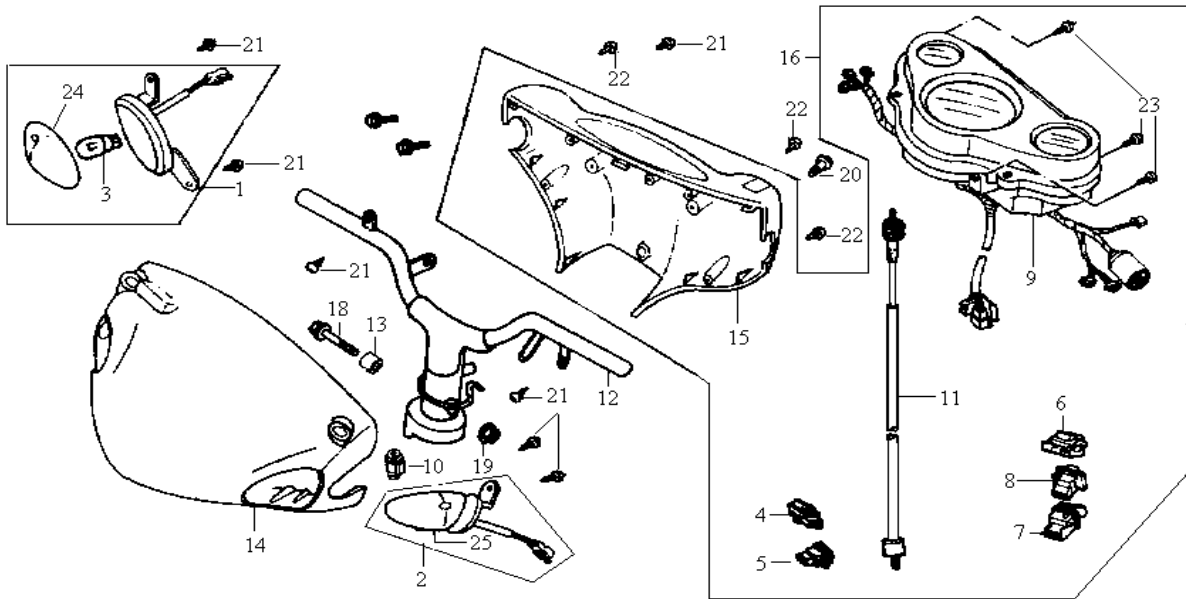
MODEL(S) G5J-6			A P P L Y	Q T Y R E Q
BLOCK NO. A-3	CHANGE DATE			
DESCRIPTION	PARTS NUMBER			
1.Head light assy.(E-mark)	3310A-E69-000			1
Head light assy.(normal type)	3310A-G22-000			1
2.Tapping screw 5x12	93903-25220			6
3.Bulb head light (E-mark)	34901-E60-000			2
(Lamp 12V-15W)				
Bulb head light (normal type)	34902-S18-K			2
(12V 18/18W)				
4.FR. head light holder	33105-G22-000			1



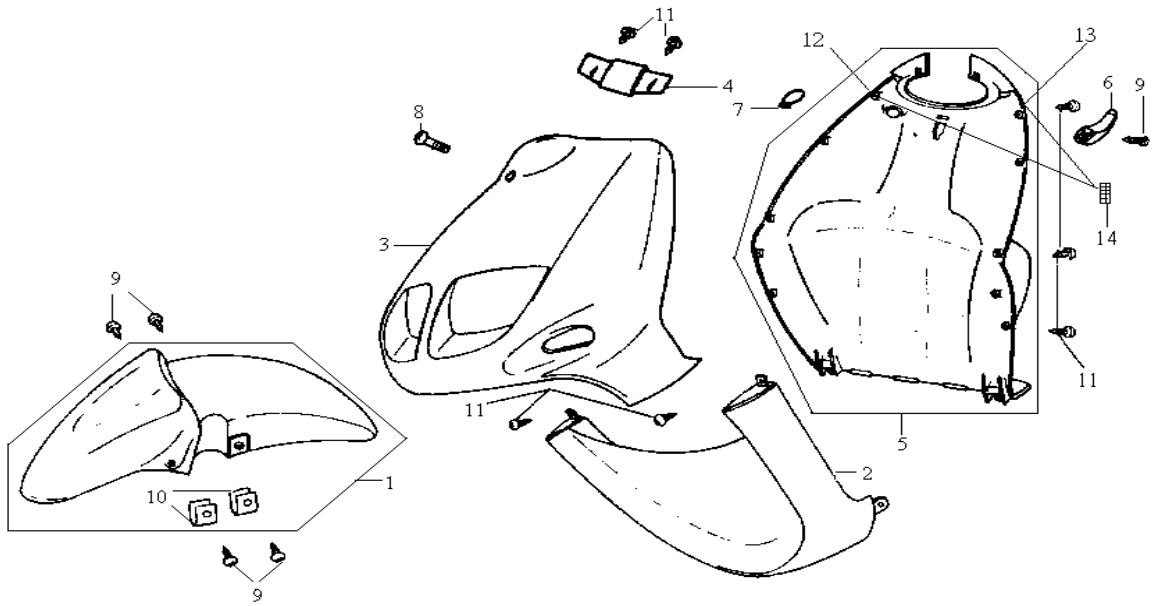
MODEL(S) G5J-6			A P P L Y	Q T Y R E Q
BLOCK NO. A-3 DESCRIPTION	PARTS NUMBER	CHANGE DATE		
1.Trottle cable comp.	17910-E69-000			1
2.FR.stop sw.assy	35340-E69-000	1999-12-23	N	1
3.RR.brake cable comp.	43450-E69-010			1
4.Handle end.strg.	53105-H01-000			2
5.Throt. grip comp.	53140-KBN-900			1
6.L.handle grip	53166-KBN-900			1
7.Throt.und. housing	53167-GN2-020			1
8.Throt.up. housing	53168-GN2-020			1
9.L.handle lever assy.	5317A-E69-000			1
	5317A-T5C-000	2000-03-16	N	1
10.Handle brkt.	53172-G22-000			1
11.Handle brkt. band	53173-GS7-003			1
12.L.strg. handle lever.	53178-T5C-000			1
13.R.back mirror assy.	88110-G22-000			1
14.L.back mirror assy.	88120-G22-000			1
15.Handle lever pivot screw	90115-T15-000			1
16.Washer bolt 6 x 20	93401-06020-00			1
17.Pan screw 5 x 22	93500-05022-0A			1
18.HEX. nut 5mm	94001-05000-0S			1



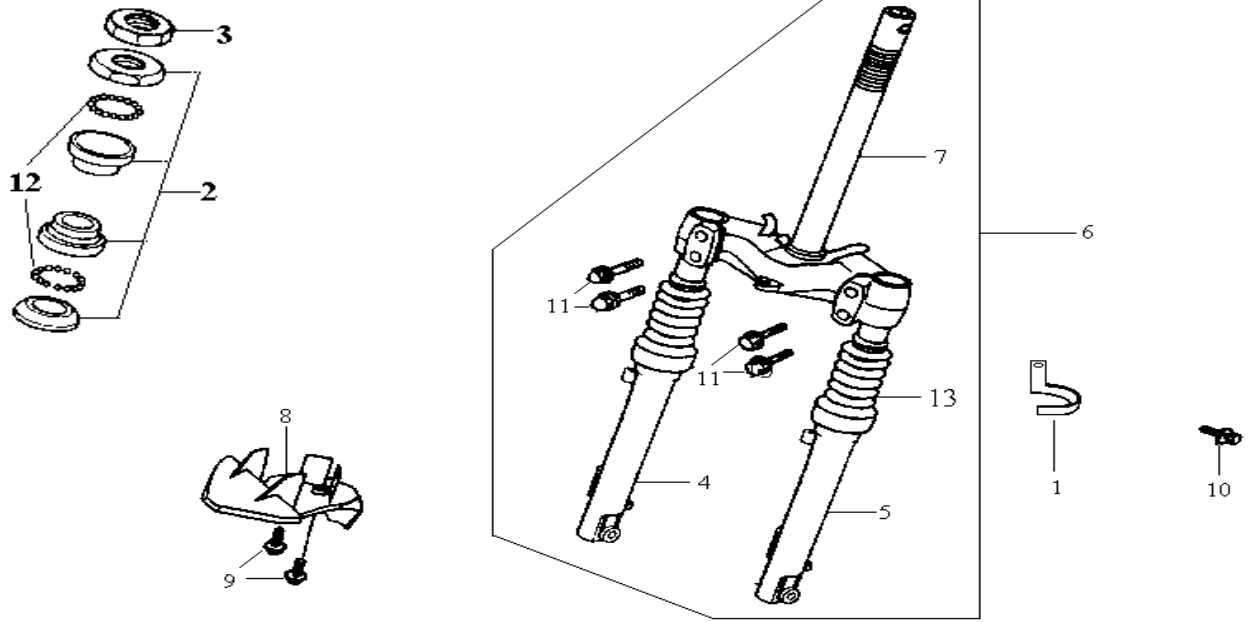
MODEL(S) G5J-6			A P P L Y	Q T Y R E Q
BLOCK NO. A-3 DESCRIPTION	PARTS NUMBER	CHANGE DATE		
1.R FR. winker assy.(E-mark)	33400-E69-010			1
2.L FR. winker assy.(E-mark)	33450-E69-010			1
3.Winker bulb 12V-10W.(E-mark)	34905-E69-000			2
4.Light SW.unit	35150-M9Q-000			1
5.Start SW.unit	35160-GW0-900			1
6.Dimmer SW.unit	35170-E69-000			1
7.Horn SW.unit	35170-GW0-900	1999-12-31	Y	1
8.Winker SW.unit	35180-GW0-900			1
9.Winker SW.unit	35200-M9Q-000			1
9.Meter assy.	37200-E69-030			1
10.Flasher Relay	38300-T40-010			1
11.Spd.cable comp.	44830-E69-000			1
12.Strg.handle comp.	53100-G22-000			1
13.Handle setting collar	53125-M9Q-000			1
14.FR.handle cover (BK-005S)	5320B-G22-000-KQ			1
FR.handle cover (R-010CA)	5320B-G22-000-RT			1
FR.handle cover (Y-109P)	5320B-G22-000-YG			1
FR.handle cover (BU-3945S)	5320B-T52-000-UV	1998-11-05		1
FR.handle cover (GY-990U)	5320B-T52-000-IB	1998-11-05		1
FR.handle cover (Y-109P)	5320B-T52-000-YG	1998-11-05		1
15.RR.handle cover (GY-426U)	53206-G22-007-GK			1
18.Flange bolt 10 x 50	90106-GN5-900			1
19.Flange u nut 10mm	90304-GW0-901-M1			1



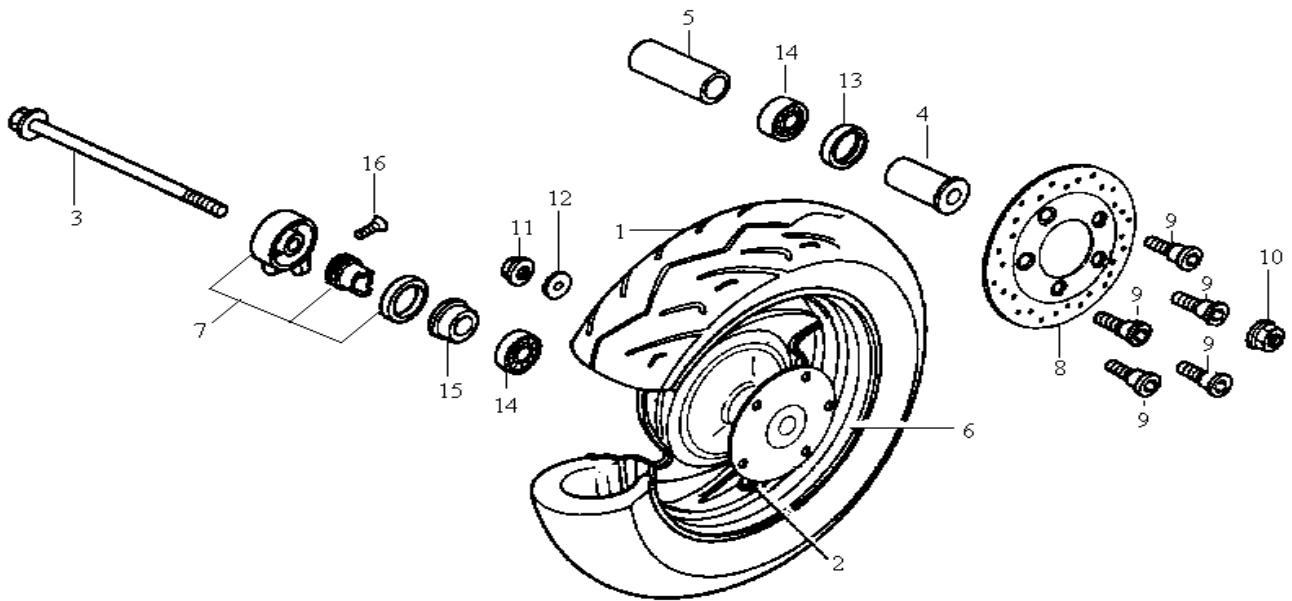
MODEL(S) G5J-6			A P P L Y	Q T Y R E Q
BLOCK NO. A-3 DESCRIPTION	PARTS NUMBER	CHANGE DATE		
20.Pan screw 5 x 7	91508-A26-000			1
21.Tapping screw 4 x 12	93903-34320			6
22.Tapping screw 4 x 12	93903-34380			4
23.Tapping screw 5x16	93903-35320			3
24.R FR. winker lens.(E-mark)	33402-G22-010			1
25.L FR. winker lens.(E-mark)	33452-G22-010			1



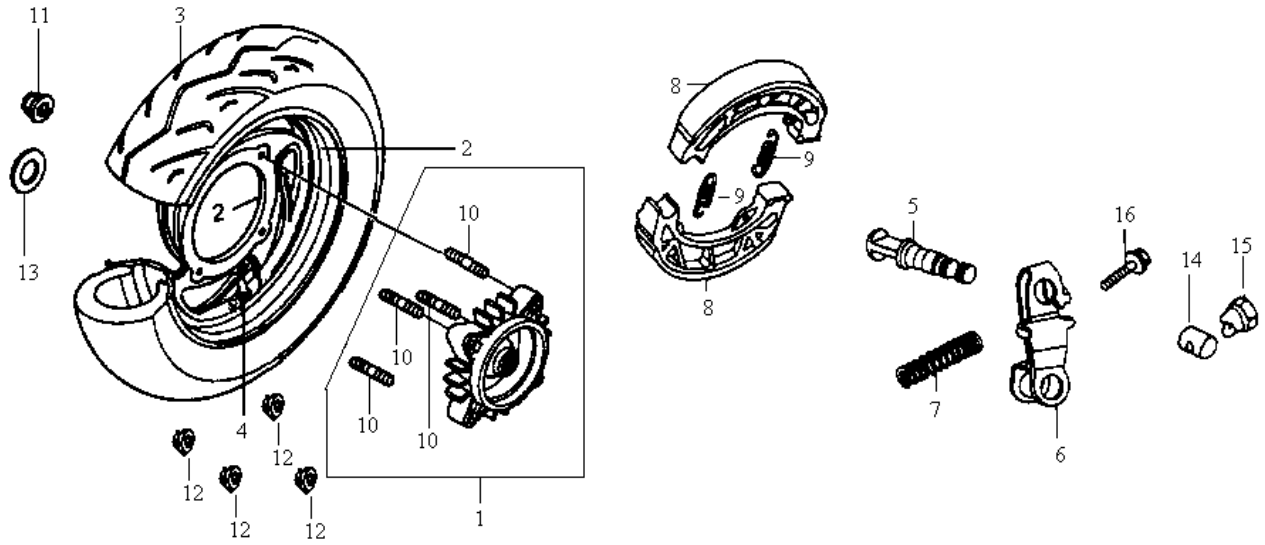
MODEL(S) G5J-6			A P P L Y	Q T Y R E Q
BLOCK NO. A-3	CHANGE DATE			
DESCRIPTION	PARTS NUMBER			
1.FR.fender assy. (BK-005S)	6110A-G22-000-KQ			1
FR.fender assy. (R-010CA)	6110A-G22-000-RT			1
FR.fender assy. (Y-109P)	6110A-G22-000-YG			1
FR.fender assy. (BU-3945S)	6110A-G22-000-UV	1998-11-05		1
FR.fender assy. (GY-990U)	6110A-G22-000-IB	1998-11-05		1
2.FR.under spoiler (BK005S)	61120-G22-000-KQ			1
FR.under spoiler (R-010CA)	61120-G22-000-RT			1
FR.under spoiler (Y-109P)	61120-G22-000-YG			1
FR.under spoiler (BU-3945S)	61120-G22-000-UV	1998-11-05		1
FR.under spoiler (GY-990U)	61120-G22-000-IB	1998-11-05		1
3.FR.cover (BK-005S)	6430A-G22-000-KQ			1
FR.cover (R-010CA)	6430A-G22-000-RT			1
FR.cover (Y-109P)	6430A-G22-000-YG			1
FR.cover (BU-3945S)	6430G-E69-900-UV	1998-11-05		1
FR.cover (R-100C)	6430G-E69-900-RY	1998-11-05		1
FR.cover (S-880S)	6430G-E69-900-SQ			1
4.FR.up plate (GY-426U)	64305-G22-000-GK			1
5.FR.inner cover assy.(GY-426U)	6431A-E69-000-GK			1
6.Luggage hook (GY-426U)	81132-GAH-000-GK			1
7.Luggage stopper	81133-KBN-900			1



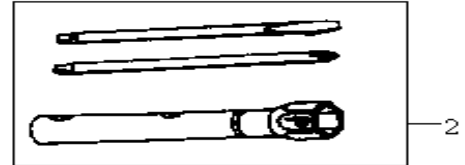
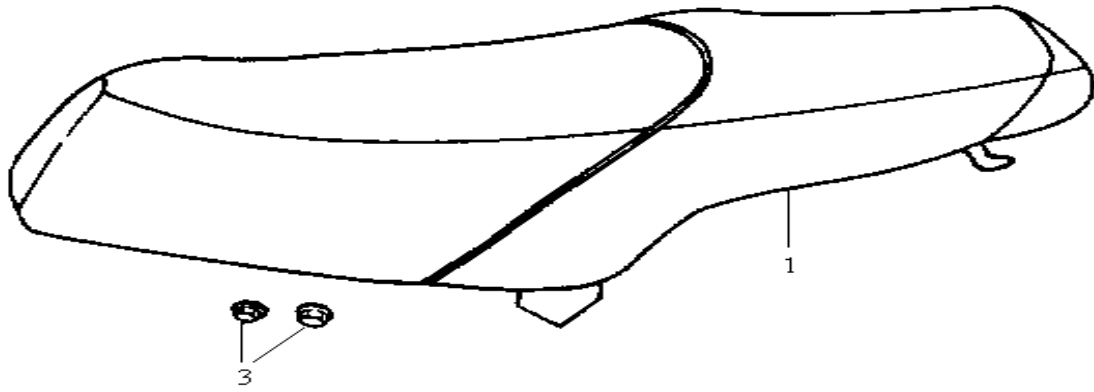
MODEL(S) G5J-6			A P P L Y	Q T Y R E Q
BLOCK NO. A-3		CHANGE DATE		
DESCRIPTION	PARTS NUMBER			
1.FR.brk.hose clamp	45156-GW0-911			1
2.Strg.stem ball race set	50300-GC8-000			1
3.Strg.stem lock nut	50306-M9Q-000			1
4.FR.R.fork assy.	51400-G22-000			1
5.FR.L. fork assy.	51500-G22-000			1
6.FR.fork assy.	5320A-G22-000			1
7.Steering stem pipe	53200-G22-000			1
8.FR.inner fender (GY-426U)	61110-G22-000-GK			1
9.Special bolt 5mm	90112-GC3-000			2
10.Flange bolt 6 × 12	95701-06012-00			1
11.Flange bolt 8 × 40	95801-08040-00			4
12.Steel ball #5	96211-05000			2
13.Boot,FR.Cushion	51445-G22-000			2



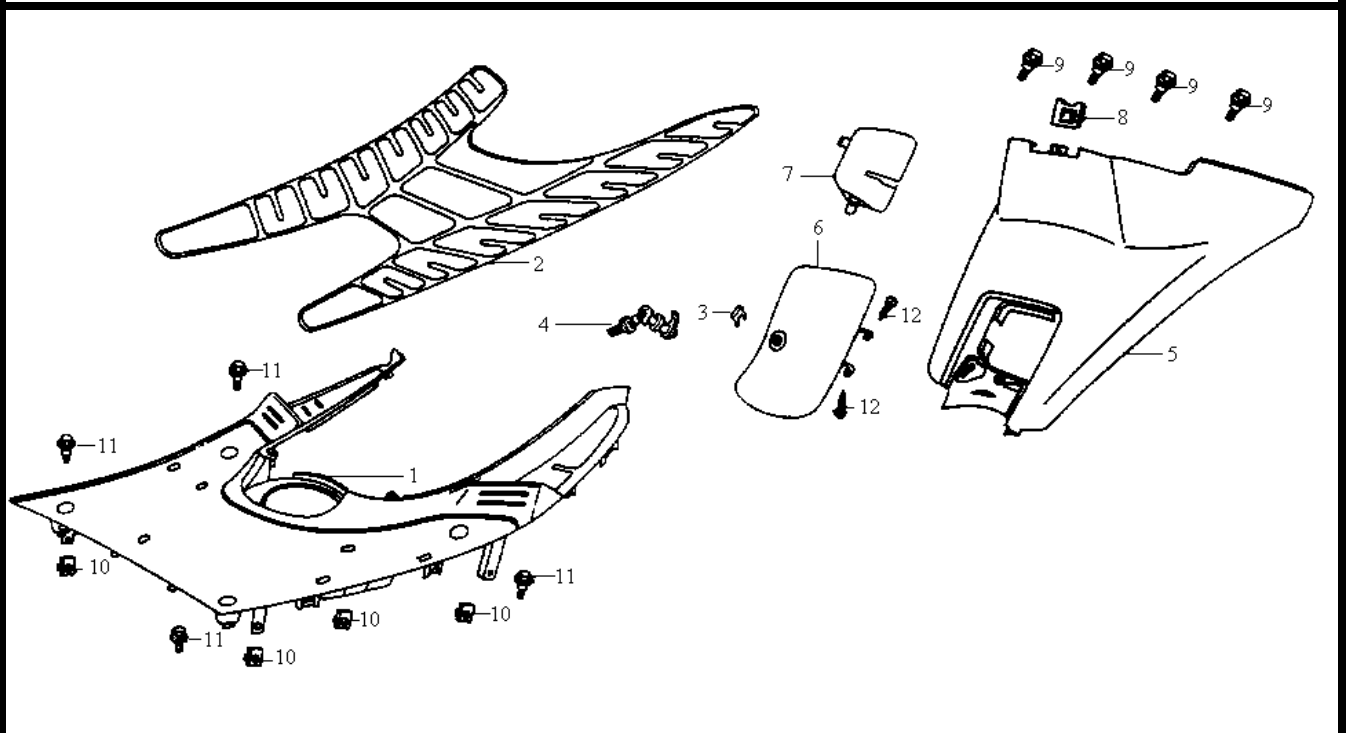
MODEL(S) G5J-6			A P P L Y	Q T Y R E Q
BLOCK NO. A-3		CHANGE DATE		
DESCRIPTION	PARTS NUMBER			
1.FR. trie (120/70-12) tubeless	1T011207012-4PR-TM1			1
2.Rim valve	(44710-G22-0001-TM1)			1
3.FR.wheel axle	42753-KJ9-000			1
4.FR.wheel side collar	44301-G22-000			1
5.FR.axle dist. collar comp.	44311-GW0-910			1
6.FR.wheel comp.(GY-1406S)	44620-G22-000			1
7.Spdmt.gear box assy.	44650-G22-000-GR			1
8.FR.brake disk	44800-G22-000			1
9.FR.disk bolt 8 × 23	45121-G22-000			1
10.Flange u nut 12mm	90112-GZ0-000			5
11.U nut flange 8mm	90306-GW0-901-M1			1
12.Washer 8mm	90309-GW0-901-M1			1
13.Dust seal 20 × 32× 5	90465-MC4-000			1
14.Bearing 6210 (U)	90754-M9Q-000-M2			1
15.Spdmt	90912-M9Q-000-M1			2
16.Oval screw 5 × 18	91258-KM1-004			1
	93700-05018-0A			1



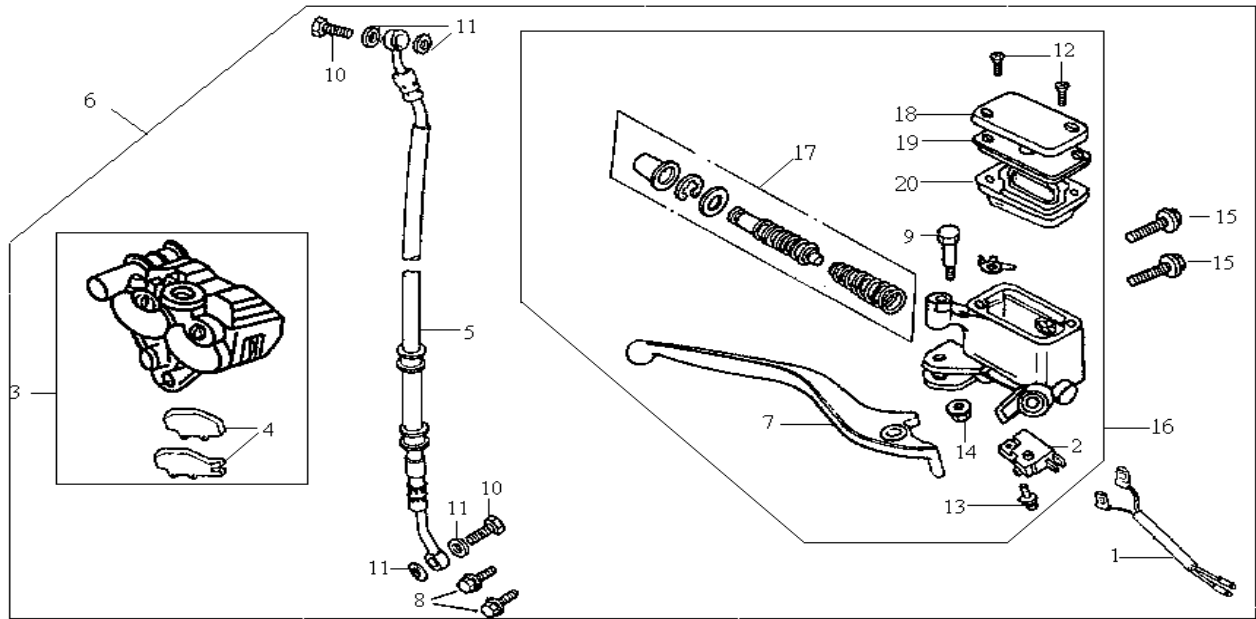
MODEL(S) G5J-6			A P P L Y	Q T Y R E Q
BLOCK NO. A-3 DESCRIPTION	PARTS NUMBER	CHANGE DATE		
1.RR. wheel hub comp.	42601-GAK-900-GR			1
2.RR. wheel comp.	42601-G22-000-GR			1
3.RR. tire (130/70-12 Tubeless)	1T011307012-4PR-TM2 (42710-E69-0000-TM2)			1
4. Rim valve	42753-KJ9-000			1
5.RR.brake cam assy.	4314A-GA1-700			1
6.RR. brake arm comp.	43410-G2B-000			1
7.RR. brake arm spring	43472-KG8-000 43472-T5C-000	2000-09-02	N	1 1
8.Brake shoe COMP.(Non-asbestos)	45120-E60-000			2
9.Brake shoe spring	45133-028-000			2
10.Stud ii bolt 8 x 24	90110-KG8-900			4
11.U nut 16mm	90305-KBN-902-M2			1
12.Flange u nut 8mm	90309-GW0-901-M1			4
13.Washer 16mm	90501-KBN-900			1
14.Brake Arm Joint B	95015-32001			1
15.Adjust nut B	95015-42000			1
16.Flange bolt 6x32	95701-06032-00			1



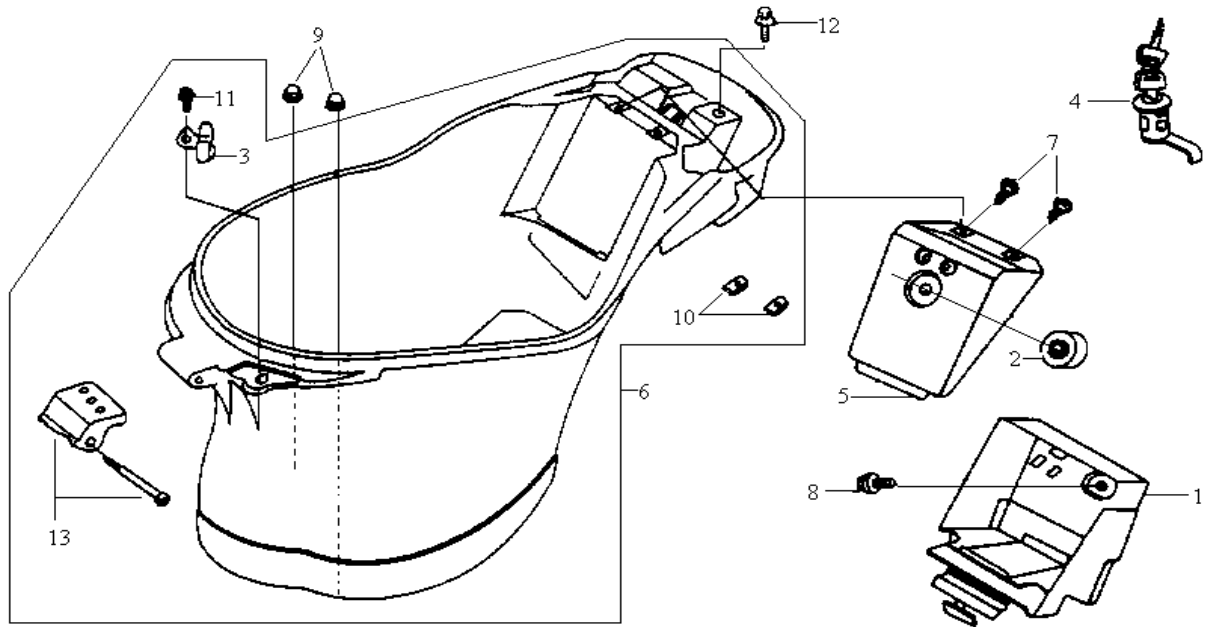
MODEL(S) G5J-6			A P P L Y	Q T Y R E Q
BLOCK NO. A-3 DESCRIPTION	PARTS NUMBER	CHANGE DATE		
1.Double seat comp.(BK-001L) 2.Tool assy. 3.Flange nut 6mm	77200-G22-000-BK 89010-KBN-000 94050-06080			1 1 2



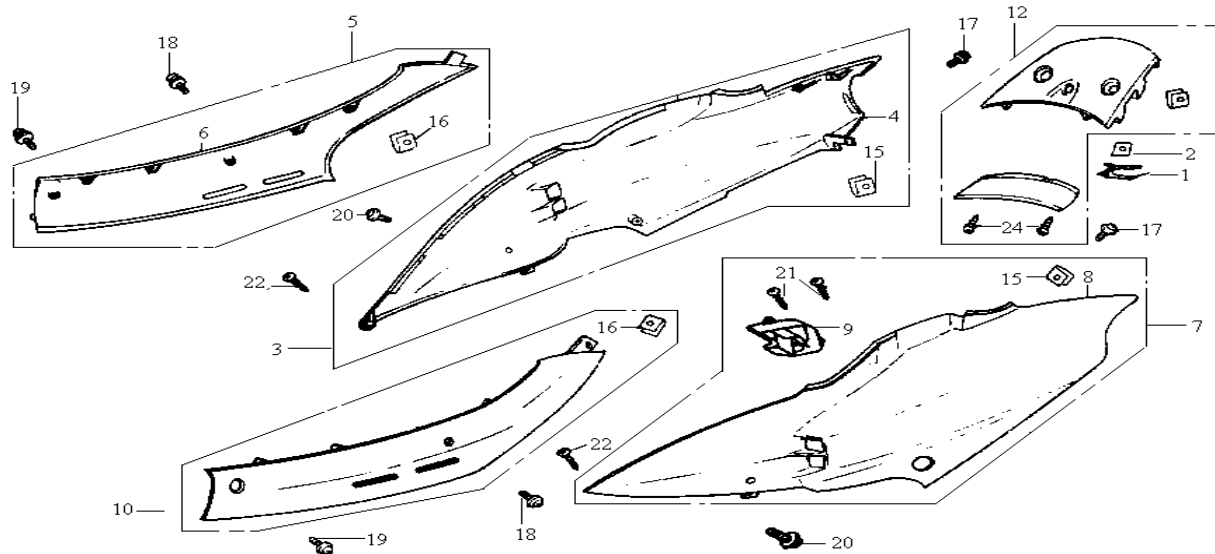
MODEL(S) G5J-6			A P P L Y	Q T Y R E Q
BLOCK NO. A-3		CHANGE DATE		
DESCRIPTION	PARTS NUMBER			
1.Floor step (GY-426U)	64310-KBN-900-GK			1
2.Floor mat (GY-426U)	64320-KBN-900-GK			1
3.Lock key set SPG.	75581-M9Q-000			1
4.Fuel lid lock ASSY.	77232-GW0-900			1
5.Center cover (GY-426U)	80151-KBN-900-GK			1
6.Fuel lid (GY-426U)	80152-KBN-900-GK			1
7.Plug maint.cover (GY-426U)	80153-KBN-900-GK			1
8.Clip nut 6mm	90305-GK8-000			1
9.Special screw 6 x 17	90381-GZ5-000			4
10.Clip nut 5mm	90677-GR1-003			4
11.Washer bolt 6x20	93404-06020-00			4
12.Tapping screw 4x8	93903-24220			2



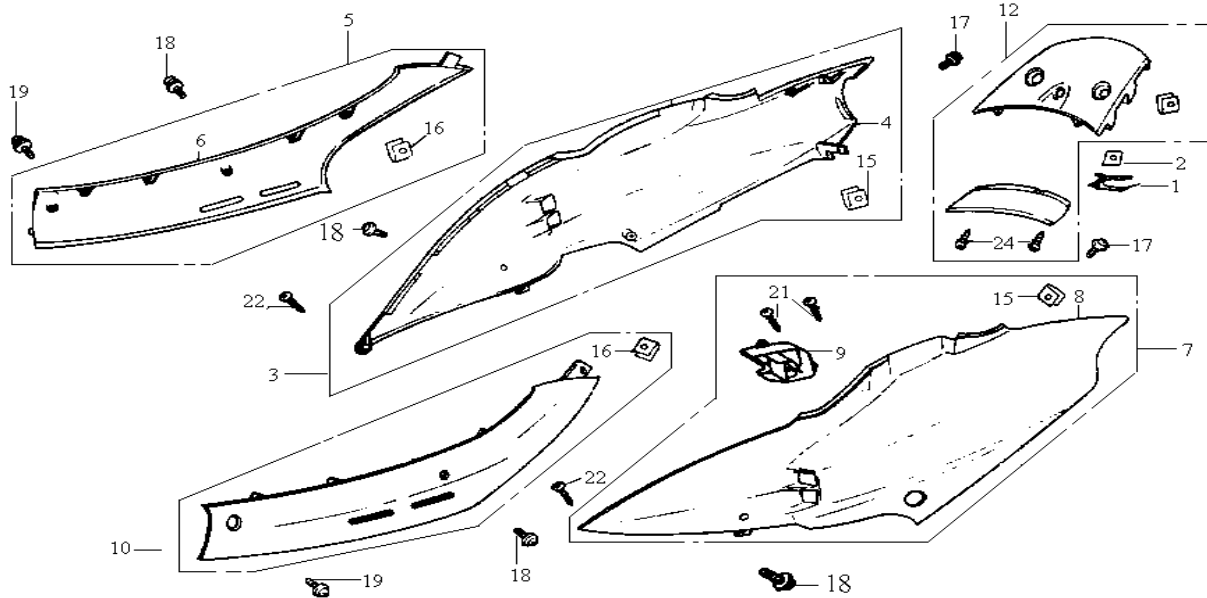
MODEL(S) G5J-6			A P P L Y	Q T Y R E Q
BLOCK NO. A-3	CHANGE DATE			
DESCRIPTION	PARTS NUMBER			
1.Sub harness	32106-E69-000			1
2.FR.stop SW. assy.	35340-KBN-900			1
3.FR. caliper	45100-E69-600			1
4. Pad comp.	45105-G22-000-AC			1
5.FR. brake hose assy.	45126-G22-000			1
6.FR. master cylinder assy.	4550A-E69-600			1
7.R.strg. handle lever	53175-KBN-900			1
8.Flange bolt 8 x 32	90106-H21-000			2
9.Hnadle lever bolt	90114-166-006			1
10.Oil bolt 10x 22	90145-MS9-611			2
11.Oil bolt washer	90545-300-000			4
12.Flat screw 4x12	93600-04012-1GF			2
13.Washer screw 4x12	93893-04012-08			1
14.Flange nut 6mm	94050-06000			1
15.Flange bolt SH 6x12	96001-06012-00			2
16.FR.master cylinder	45500-G22-000			1
17.Master cylinder set	45530-471-831-P1			1
18.Master cylinder cap.	45513-GW0-911-M1			1
19.Diaphragm plate	45521-GW0-911-M1			1
20.Diaphragm	45520-GW0-911-M1			1



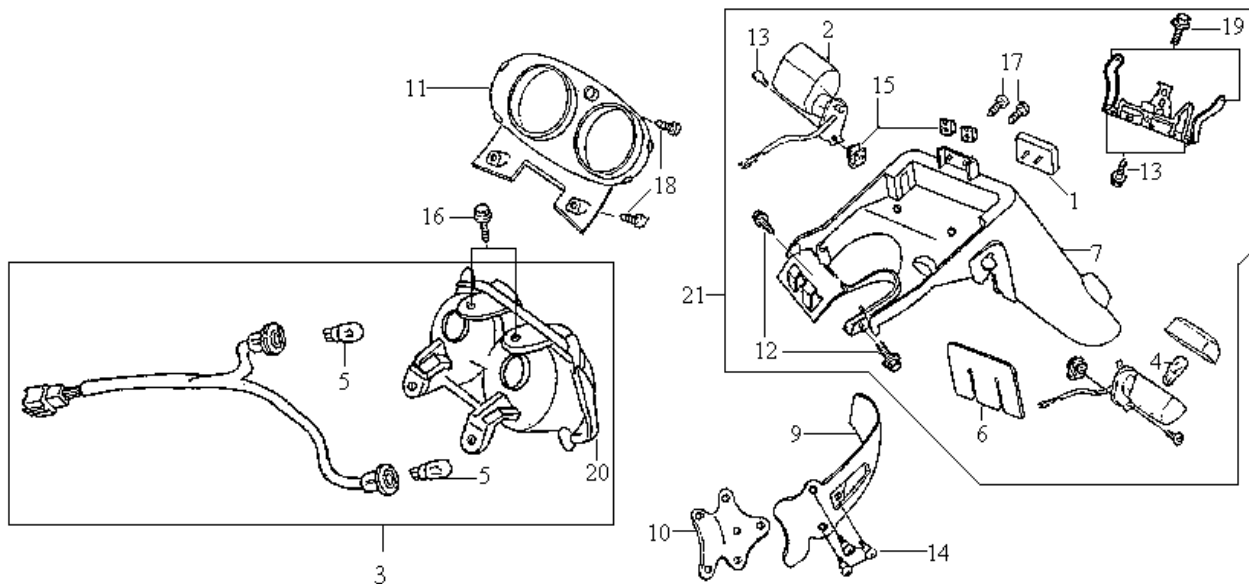
MODEL(S) G5J-6			A P P L Y	Q T Y R E Q
BLOCK NO. A-1	CHANGE DATE			
DESCRIPTION	PARTS NUMBER			
1.Battery case	50325-KBN-900			1
2.Stopper rubber	50352-GJ3-600			1
3.Helmet hook	77106-GS6-000			1
4.Seat lock assy	77225-G22-000			1
5.Battery cover (GY-013U)	81251-E69-000-GO			1
6.Luggage box assy	81260-E69-000			1
7.Special screw 5x10	90101-KBN-900			2
8.Flange bolt	90111-162-000B			1
9.Cap nut 6mm	90201-415-000			2
10.Spring nut M5	90320-HB9-000			2
11.Washer screw 5x10	93891-06010-07			1
12.Washer bolt 6x16	93404-06025-07			2
13.Seat hinge assy	77107-E69-000			1



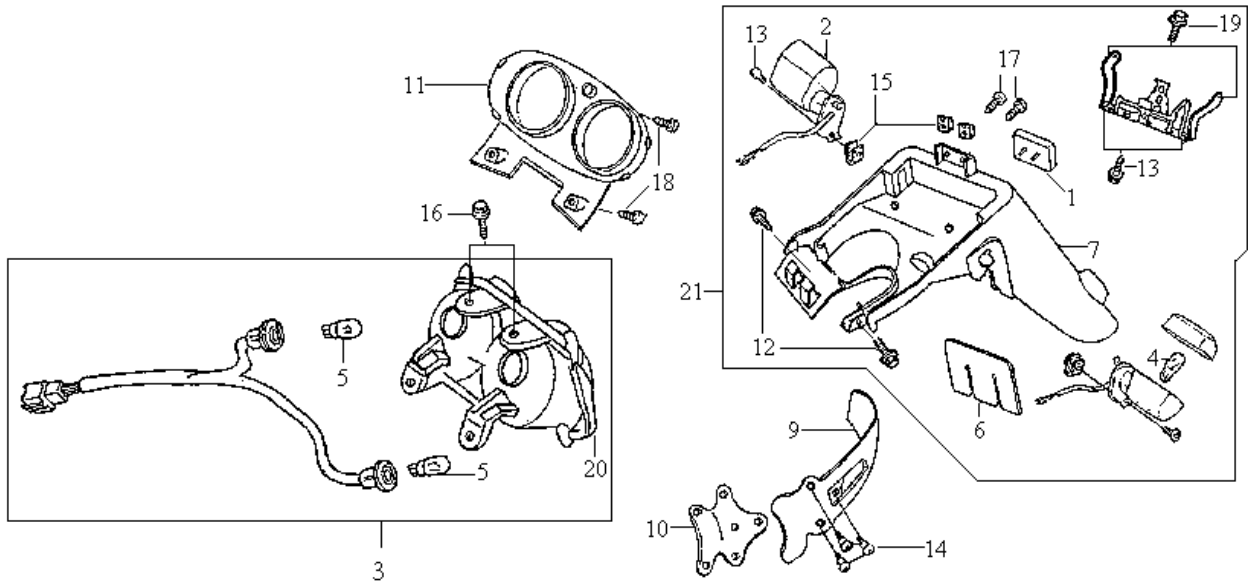
MODEL(S) G5J-6			A P P L Y	Q T Y R E Q
DESCRIPTION	PARTS NUMBER	CHANGE DATE		
1.Lock key set spg.	77226-KY2-700			1
2.Seat lock washer	77236-GW0-000			1
3.RH.body cover assy.(BK-005S)	8350A-E69-000-KQ			1
RH.body cover assy.(R-010CA)	8350A-E69-000-RT			1
RH.body cover assy.(Y-109P)	8350A-G22-000-YG			1
RH.body cover assy.(BU-3945S)	8350G-E69-900-UV	1998-11-05		1
RH.body cover assy.(R-100C)	8350G-E69-900-RY	1998-11-05		1
RH.body cover assy.(S-880S)	8350G-E69-900-SQ	1998-11-05		1
5.RH.side cover assy.(BK-005S)	8352A-G22-000-KQ			1
RH.side cover assy.(R-010CA)	8352A-G22-000-RT			1
RH.side cover assy.(Y-109P)	8352Z-G22-000-YG			1
RH.side cover set (BU-3945S)	8352Z-G22-000-UV	1998-11-05		1
RH.side cover set (GY-990U)	8352Z-G22-000-IB	1998-11-05		1
7.LH.body cover assy.(BK-005S)	8360A-G22-000-KQ			1
LH.body cover assy.(R-010CA)	8360A-G22-000-RT			1
LH.body cover assy.(Y-109P)	8360A-G22-000-YG			1
LH.body cover assy.(BU-3945S)	8360G-E69-900-UV	1998-11-05		1
LH.body cover assy.(R-100C)	8360G-E69-900-RY	1998-11-05		1
LH.body cover assy.(S-880S)	8360G-E69-900-SQ	1998-11-05		1
9.Air/c. int. duct	83605-G22-000			1
10.LH.side cover assy.(BK-005S)	8362A-G22-000-KQ			1



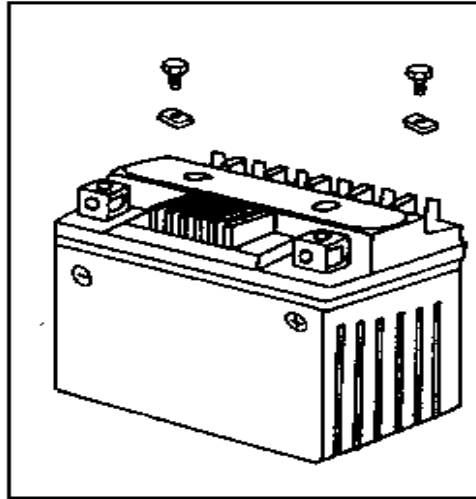
MODEL(S) G5J-6			A P P L Y	Q T Y R E Q
DESCRIPTION	PARTS NUMBER	CHANGE DATE		
10. LH.side cover assy.(R-010CA)	8362A-G22-000-RT			1
LH.side cover assy.(Y-109P)	8362Z-G22-000-YG			1
LH.side cover set (BU-3945S)	8362Z-G22-000-UV	1998-11-05		1
LH.side cover set (GY-990U)	8362Z-G22-000-IB	1998-11-05		1
12.RR.center cover assy.(BK-005S)	8375A-G22-000-KQ			1
RR.center cover assy.(R-010CA)	8375A-G22-000-RT			1
RR.center cover assy.(Y-109P)	8375A-G22-000-YG			1
RR.center cover assy.(BU-3945S)	8375A-G22-000-UV	1998-11-05		1
RR.center cover assy.(R-100C)	8375A-G22-000-RY	1998-11-05		1
RR.center cover assy.(S-880S)	8375A-G22-000-SQ	1998-11-05		1
15.Clip nut 4mm	90302-SA4-003			2
16.Clip nut 5mm	90677-GR1-003			2
17.Washer screw 5×12	93891-05012-07			2
18.Washer screw 5×16	93891-05016-07			4
19.Washer screw 5×20	93891-05020-07			2
21.Tapping screw 4×12	93903-24320			2
22.Tapping screw 5×16	93903-25320			2
24.Tapping screw 4×12	93903-34320			2



MODEL(S) G5J-6			A P P L Y	Q T Y R E Q
DESCRIPTION	PARTS NUMBER	CHANGE DATE		
1.RR.reflex reflector	33741-P1A-000			1
2.R.RR.winker assy. (E-mark)	33600-P1A-020			1
L.RR.winker assy. (E-mark)	33650-P1A-020			1
3.Tail light ASSY. (E-mark)	33700-P1A-020			1
4.Lampada 12V-10W. (E-mark)	34905-B06-000-E			2
5.Lamp 12V 21/5W (E-mark)	34906-E69-000			2
6.Splash guard plate	80104-KBN-900			1
7.RR.fender comp.	80100-G22-000-GM			1
8.Fender stay	80106-KBN-900			1
9. RR.Mudguard (Black)	80107-G22-000-KQ			1
RR.Mudguard (Red)	80107-G22-000-RT			1
RR.Mudguard (Yellow)	80107-G22-000-YG			1
RR.Mudguard (BU-3945S)	80107-G22-000-UV	1998-11-05		1
RR.Mudguard (GY-990U)	80107-G22-000-IB	1998-11-05		1
10. RR.Mudguard stay	80109-T52-000			1
11.Tail cover (BK-005S)	83800-G22-000-KQ			1
Tail cover (R-010CA)	83800-G22-000-RT			1
Tail cover (Y-109P)	83800-G22-000-YG			1
Tail cover (BU-3945S)	83800-G22-000-UV	1998-11-05		1
Tail cover (R-100C)	83800-G22-000-RY			1
Tail cover (S-880S)	83800-G22-000-SQ			1

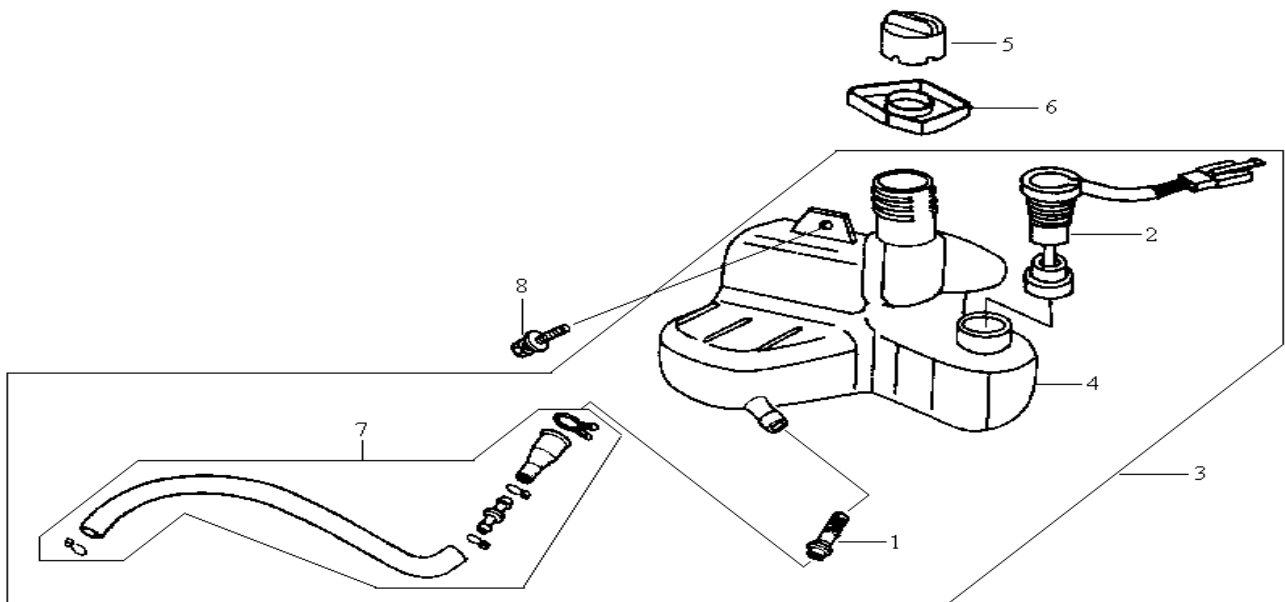


MODEL(S) G5J-6			A P P L Y	Q T Y R E Q
BLOCK NO. A-2	CHANGE DATE			
DESCRIPTION	PARTS NUMBER			
12.Flange bolt 6mm	90111-162-000B			4
13.Washer screw 5x14	90118-T15-000			1
14.Special screw 6mm	90164-MR4-900			3
15.Clip nut 5mm	90677-GR1-003			2
16.Washer screw 6x12	93404-06012-08			4
17.Washer screw 5x12	93891-05012-07			2
18.Tapping screw 4x12	93903-34380			2
19.Flange bolt 6x12	95701-06012-00			1
20.Tail light lens(E-mark)	33702-G03-000			1
21.RR. Fender Assy.	8010A-E69-000			1

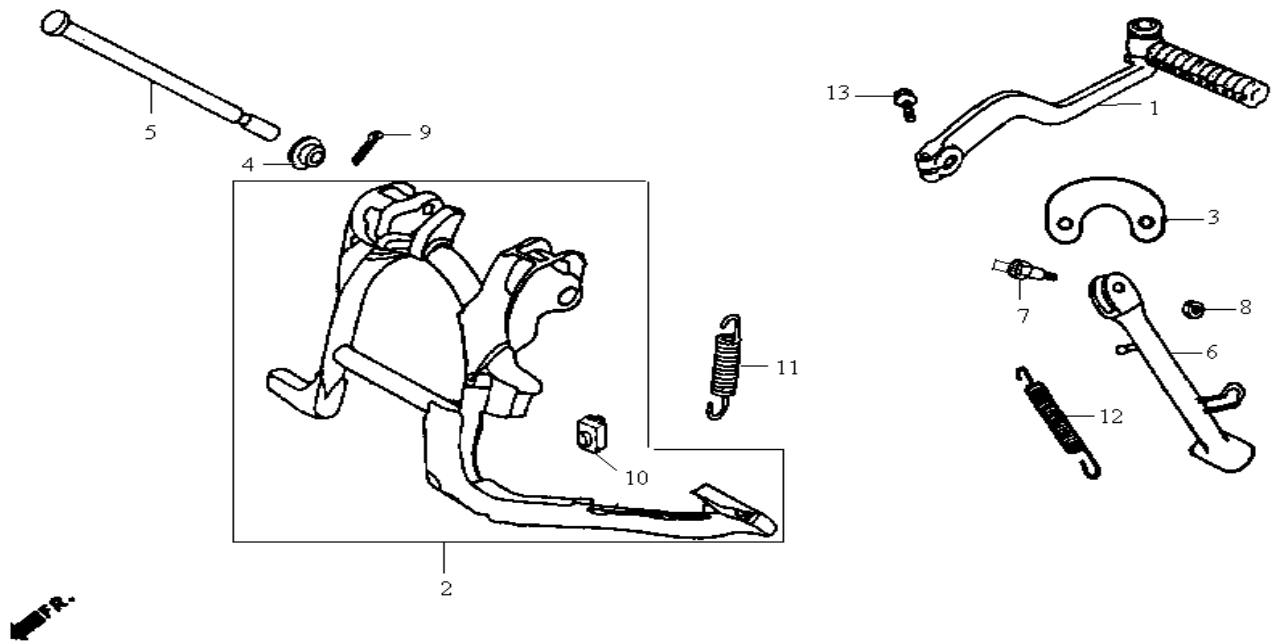


1

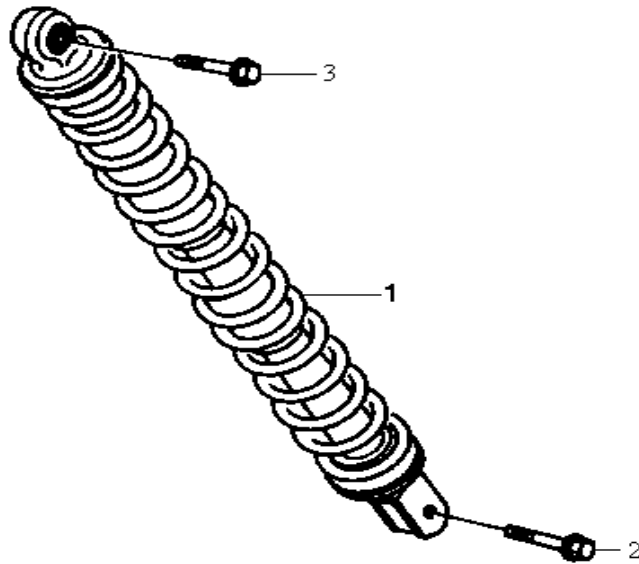
MODEL(S) G5J-6			A P P L Y	Q T Y R E Q
BLOCK NO. A-1 DESCRIPTION	PARTS NUMBER	CHANGE DATE		
1.Battery assy.YT4L-BS (YUASA)	1Y01T0601-Y (31500-GM4-030A)			1



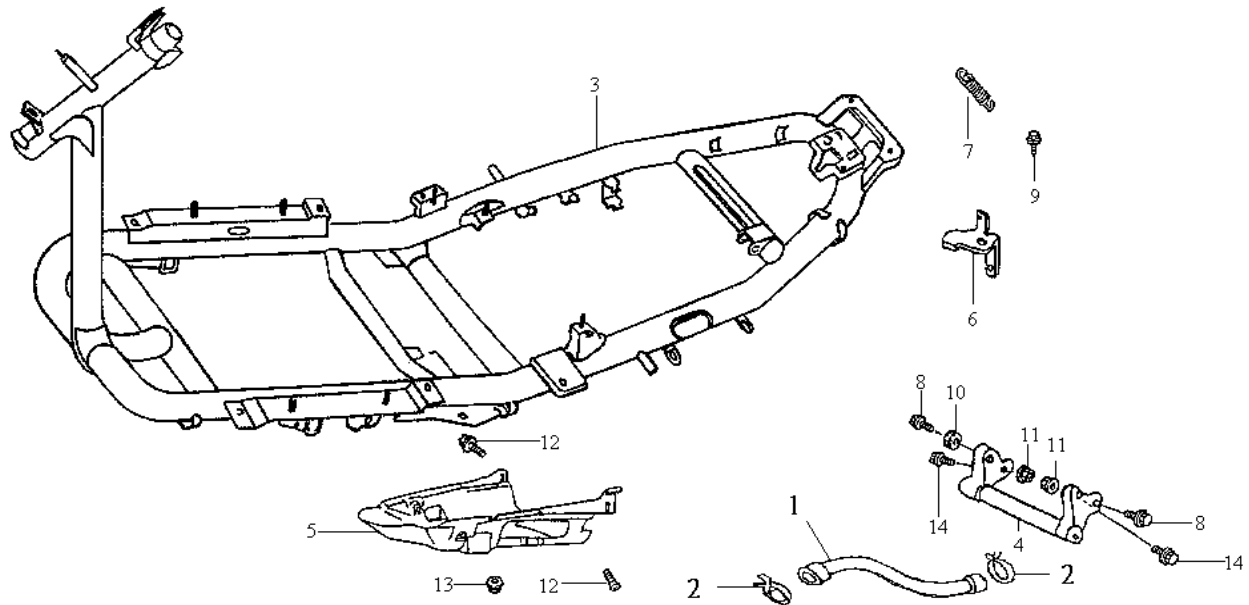
MODEL(S) G5J-6			A P P L Y	Q T Y R E Q
BLOCK NO. A-1 DESCRIPTION	PARTS NUMBER	CHANGE DATE		
1.Oil strainer	17502-187-000			1
2.Oil lever SW.comp.	35410-KBN-901			1
3.Oil tank assy.	5510A-E69-000			1
4.Oil tank	55100-G22-000			1
5.Oil cap assy.	55105-KBN-900			1
6.Oil guide rubber	55121-KBN-900			1
7.Oil tube assy.	55200-KBN-920			1
8.Washer bolt 6×16	93404-06016-00			1



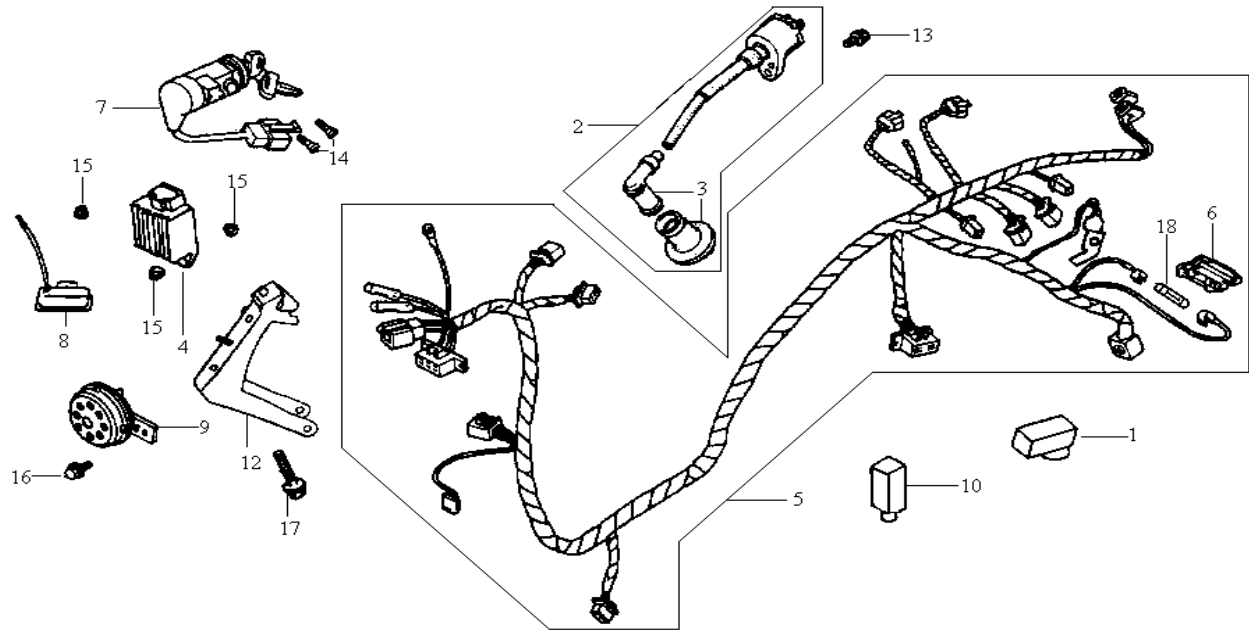
MODEL(S) G5J-6			A P P L Y	Q T Y R E Q
BLOCK NO. A-1	CHANGE DATE			
DESCRIPTION	PARTS NUMBER			
1.Arm assy.kick start	28300-KBN-900			1
2.Main stand assy.	5050A-T52-000			1
3.Spring plate hook	50542-E60-000			1
4.Main stand shaft rubber	50502-KBN-900			1
5.Main stand shaft	50503-KBN-900			1
6.Side stand bar comp.	50530-E69-000			1
7.Side stand pivot screw	90108-G03-000			1
8.Hex. nut 8mm	94030-08080-0S			1
9.Split pin 1.6	94201-16200			1
10.Stand stopper rubber A	95011-61000			1
11.Main stand SPG.D	50505-E69-000			1
12.Side stand SPG.	50535-E60-000			1
13.Flange bolt 6x22	95701-06022-07			1



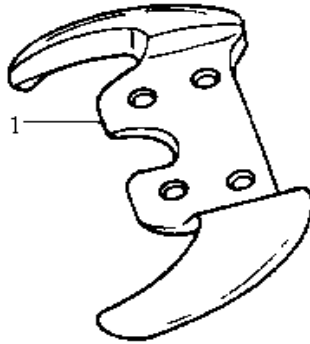
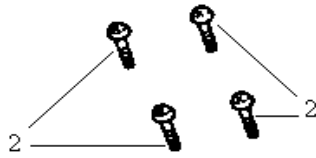
MODEL(S) G5J-6			A P P L Y	Q T Y R E Q
BLOCK NO. A-1 DESCRIPTION	PARTS NUMBER	CHANGE DATE		
1.RR.cushion ASSY. 2.HEX.bolt 8x32 3.Flange bolt 10x35	52400-G22-000(<i>RED</i>) 52400-G22-900(<i>BLACK</i>) 93201-08032-0A 95801-10035-00			1 1 1 1



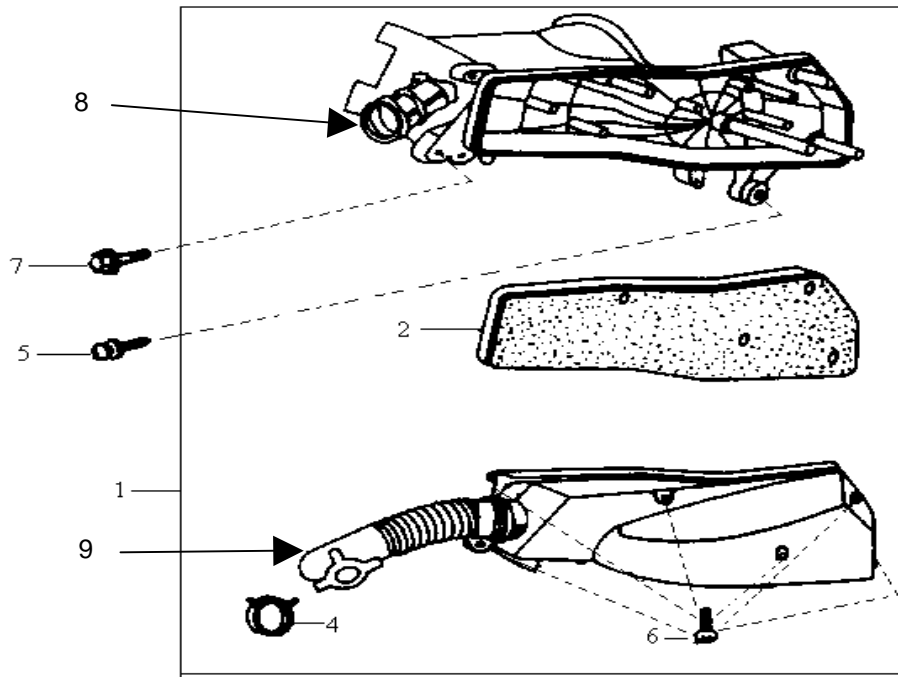
MODEL(S) G5J-6			A P P L Y	Q T Y R E Q
BLOCK NO. A-1		CHANGE DATE		
DESCRIPTION	PARTS NUMBER			
1.Hose cooling	19410-KBN-900	2000-05-02		1
2.Clip hose	19411-GW3-003	2000-05-02		2
3.Frame body comp.	50100-E69-001			1
4.Eng.hanger link assy.	50350-KBN-900			1
5.Under cover	50621-KBN-900			1
6.Seat lock plate	77232-KBN-900			1
7.Seat lock spg.	77234-KBN-900			1
8.Flange bolt 10x55	90106-GY6-900			2
9.Flange bolt 6mm	90112-KBN-900			1
10.Collar distance	90121-T40-000			1
11.Nut U flange 10mm	90301-GW0-901			2
12.Washer bolt 6x16	93404-06016-07			2
13.Flange nut 6mm	94050-06070			2
14.Flange bolt 10x70	95801-10070-08			2



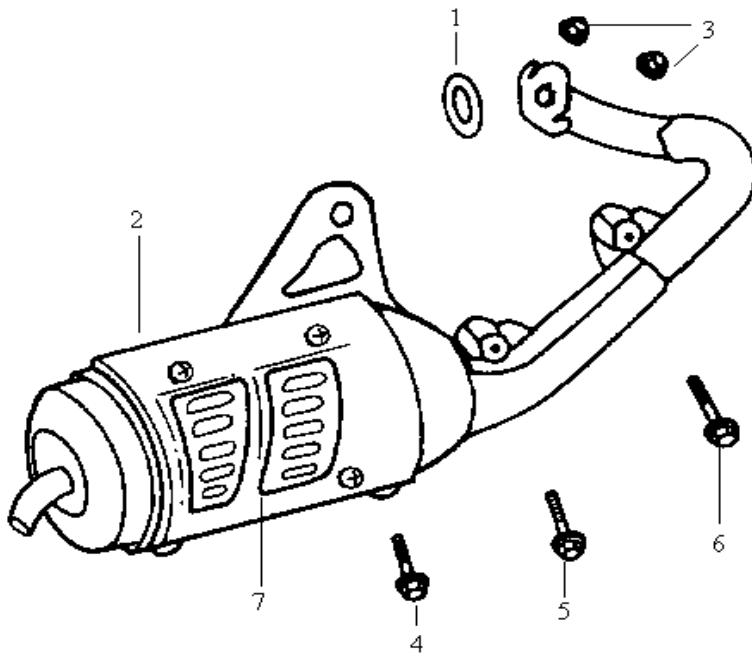
MODEL(S) G5J-6			A P P L Y	Q T Y R E Q
BLOCK NO. A-1	CHANGE DATE			
DESCRIPTION	PARTS NUMBER			
1.C.D.I. unit assy.	30400-E69-020			1
2.Ign.coil & plug cap assy.	30500-E60-000			1
3.Noise suppr. cap assy.	30700-KBN-000			1
4.Reg.rec.comp.	31600-KBN-920			1
5.Wire harness	32100-E69-010			1
6.7A fuse case	32121-196-003			1
7.Main switch comp.	35100-E60-000			1
8.Resistor comp.	35400-KBN-920			1
9.Horn comp.	38110-T54-000			1
10.Relay comp.start	38501-GW3-900			1
12.FR.cover stay	64315-G22-000			1
13.Flange bolt 5x22	64315-G2D-000	2000-04-17	N	1
14.Flange screw U lock	90112-GK8-010			1
15.Flange nut 6mm	90164-X01-000			1
16.Flange bolt 6x12	94050-06080			2
17.Flange bolt 6x45	95701-06012-00			1
18.Fuse 7A	95801-06045-08			2
19.Ket Set	98200-10700			1
(Set Lock)	35010-E69-000			1
	(35100-E69-000)			
	(77225-G22-000)			
	(77232-GW0-900)			
* Please refer attached drawing				



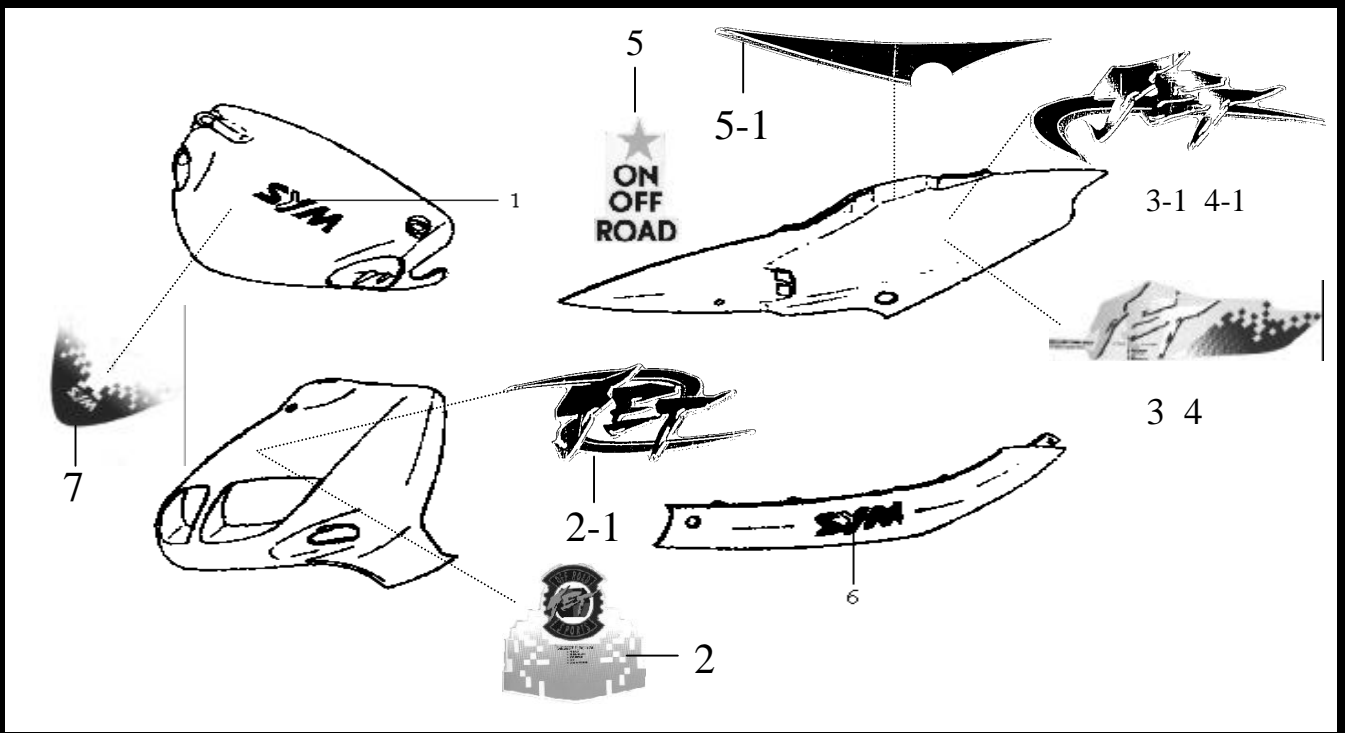
MODEL(S) G5J-6			A P P L Y	Q T Y R E Q
DESCRIPTION	PARTS NUMBER	CHANGE DATE		
1.RR. Grip (Black)	Balck 81300-G22-000-KQ			1
RR. Grip (Red)	Red 81300-G22-000-RT			1
RR. Grip (Yellow)	Yellow 81300-G22-000-YG			1
RR. Grip (BU-3945S)	Blue(98' Mod 81300-G22-000-UV			1
RR. Grip (GY-990U)	Gray(98' Mod 81300-G22-000-IB			1
2.Special bolt 8 mm	90105-G19-000			4



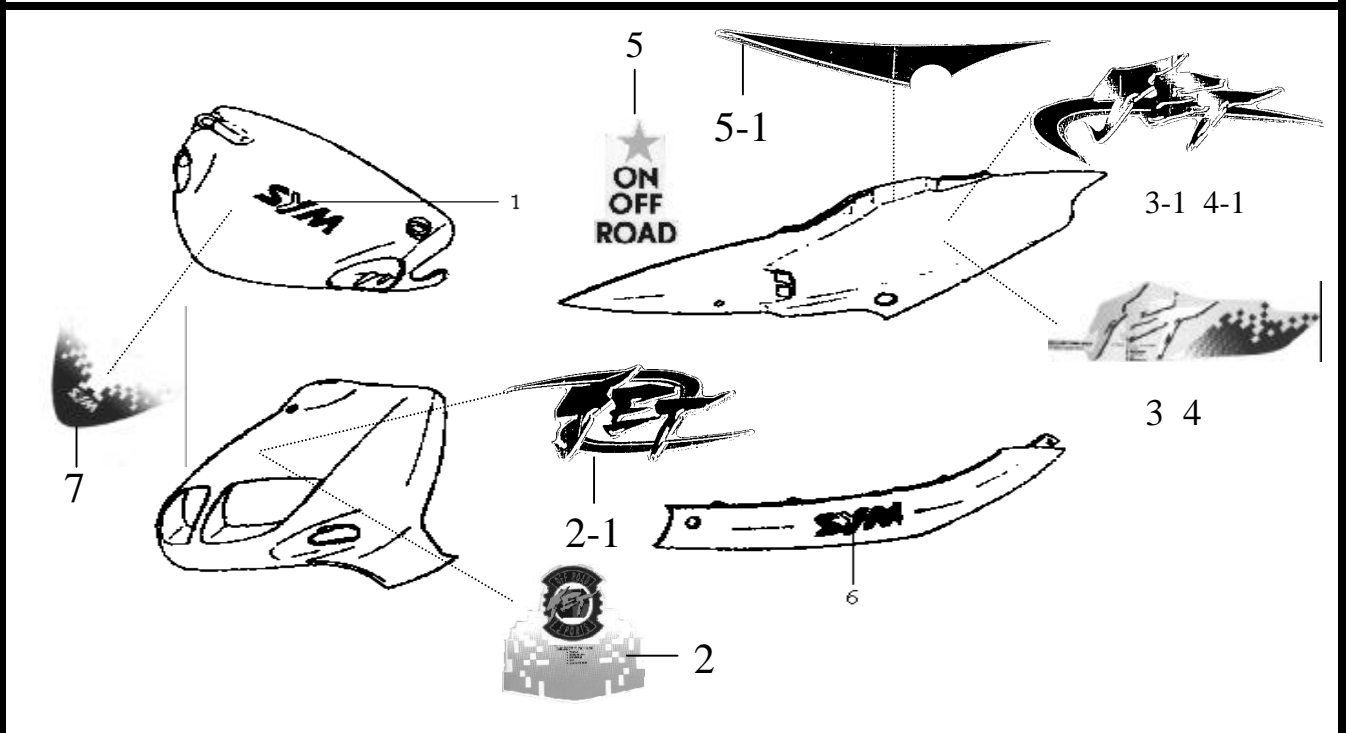
MODEL(S) G5J-6			A P P L Y	Q T Y R E Q
BLOCK NO. A-1 DESCRIPTION	PARTS NUMBER	CHANGE DATE		
1.Air/C.SET.	1720A-E69-010			1
2.Element air/C.	17205-KBN-900			1
4.Band air/C.conntube	90652-GHB-640			1
5.Bolt washer 6×35	93404-06035-07			1
6.Screw tapping 5×20	93903-25580			7
7. Bolt flange 6×35	95801-06035-07			1
8. Slang	07-2201-5			
9. Slang	07-2201-6			



MODEL(S) G5J-6			A P P L Y	Q T Y R E Q
BLOCK NO. A-1 DESCRIPTION	PARTS NUMBER	CHANGE DATE		
1.EXH. pipe gasket	18292-E60-000			1
2.EXH. muffler assy.	1830A-E69-010			1
EXH. muffler assy.(withhout catalyst)	1830A-T52-000-T1			1
3.HEX. cap nut 6mm	90304-438-000			2
4.Flange bolt 8x45	95701-08045-07			1
5.Flange bolt 8x55	95701-08055-07			1
6.Flange bolt 8x70	95701-08070-07			1
7.Protect A	18318-G22-000			1
Protect B (outside)	18319-G22-000			1



MODEL(S)		CHANGE DATE	APPLY	QTY REQ
G5J-6				
BLOCK NO. A-1				
DESCRIPTION		PARTS NUMBER		
1.Fr. handle cover stripe	(for black1 blue green red/gray)	87123-G22-000-T1		1
2.Fr. cover stripe	(for silver/yellow)	87123-G22-000-T2		1
	(for black green)	87125-G22-000-T1		
	(for red)	87125-G22-000-T2		
2-1.Fr. cover stripe	(for yellow)	87125-G22-000-T4		1
	(for black1 green1)	87125-E69-900-T1		
	(for blue)	87125-E69-900-T2		
	(for red/gray)	87125-E69-900-T3		
3.R. body cover stripe	(for silver/yellow)	87125-E69-900-T4		1
	(for black green)	87126-E69-000-T2		
	(for red)	87126-E69-000-T3		
3-1.R. body cover stripe	(for yellow)	87126-E69-000-T1		1
	(for black1 green1)	87126-E69-900-T1		
	(for blue)	87126-E69-900-T2		
	(for red/gray)	87126-E69-900-T3		
4.L. body cover stripe	(for silver/yellow)	87126-E69-900-T4		1
	(for black green)	87127-E69-000-T2		
	(for red)	87127-E69-000-T3		
4-1.L. body cover stripe	(for yellow)	87127-E69-000-T1		1
	(for black1 green1)	87127-E69-900-T1		
	(for blue)	87127-E69-900-T2		



MODEL(S)		BLOCK NO. A-1	CHANGE DATE	APPLY	QTY REQ
G5J-6					
DESCRIPTION		PARTS NUMBER			
4-1.L. body cover stripe	(for red/gray)	87127-E69-900-T3			1
	(for silver/yellow)	87127-E69-900-T4			
5.Body cover mark(on,off, road)	(for black green)	87128-G22-000-T1			2
	(for yellow)	87128-G22-000-T2			
5-1.R.Body cover stripe	(for black1 green1)	87128-E69-900-T1			1
	(for blue)	87128-E69-900-T2			
	(for red/gray)	87128-E69-900-T3			
	(for silver/yellow)	87128-E69-900-T4			
5-1.L.Body cover stripe	(for black1 green1)	87129-E69-900-T1			1
	(for black green)	87129-E69-900-T2			
	(for red/gray)	87129-E69-900-T3			
	(for silver/yellow)	87129-E69-900-T4			
6.SYM stripe (194mm)	(for black1 green1)	87122-G22-000-T1			2
	(for blue red/gray black1 green1)	87122-G22-000-T2			
7.FR. Handle cover stripe	(for black green)	87124-G22-000-T1			1
	(for red)	87124-G22-000-T2			
	(for black green)	87124-G22-000-T4			
	(for black1 green1)				